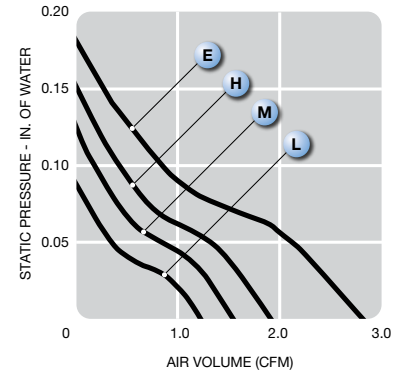
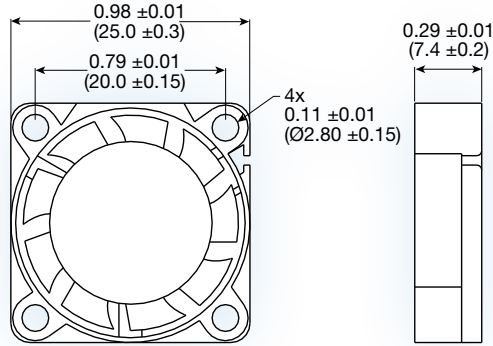


MS2507 series

**(25 x 25 x 7.4 mm)**

0.98 x 0.98 x 0.29 inches

Features: reverse polarity protection

Operating Voltage: 5 or 12 VDC

Construction: UL94V-0 plastic impeller and frame

Bearing option: sleeve or FDB bearing

Motor: brushless DC

Air Flow: air exhaust over struts

Model No.	Rated Voltage VDC	Current A		Speed RPM	Air Volume		Max. Static Pressure (H ₂ O)		Sound Noise dbA	Weight g
		5	12		M ³ /Min.	CFM	MM	INCH		
MS2507L	5/12	0.11	0.05	7,000	0.035	1.22	2.28	0.09	20	5
MS2507M	5/12	0.17	0.08	10,000	0.044	1.55	3.05	0.12	24	5
MS2507H	5/12	0.23	0.10	14,000	0.054	1.90	3.81	0.15	28	5
MS2507E	5/12	0.30	0.20	17,000	0.080	2.81	4.57	0.18	31	5