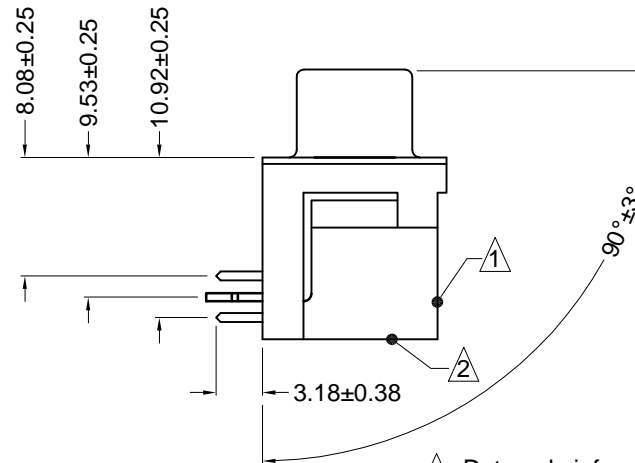
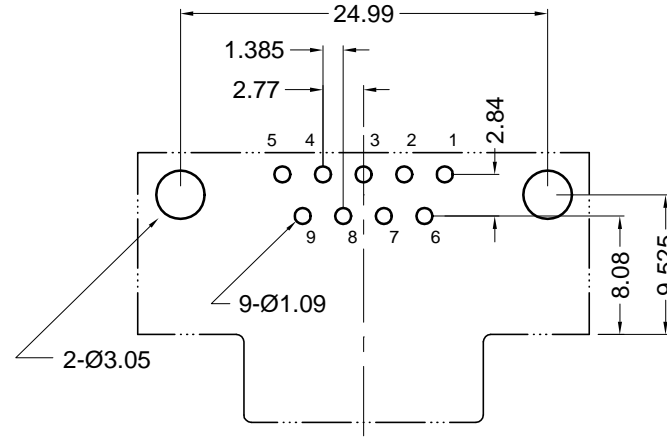


Recommended PCB Layout (Top View)



Material and Finish

Shell: steel, tin plated

Insulator: PBT thermoplastic, 30% glass-fiber reinforcement, UL94V-0 rated, black color

Contact Material: phosphor bronze

Contact Plating Options:

Standard: gold flash on mating end, tin-lead on termination end, 50u" nickel underplate on entire contact

15 Option: 0.000015" gold on mating end, tin-lead on termination end, 50u" nickel underplate on entire contact

30 Option: 0.000030" gold on mating end, tin-lead on termination end, 50u" nickel underplate on entire contact

Specifications

Rated Current: 5A

Rated Voltage: 300V DC

Withstanding Voltage: 500V (r.m.s.) AC for 1 minute

Insulation Resistance: more than 1000 megohms at 500V DC

Contact Resistance: 13 milliohm max.

Dielectric Strength: 1000V for 1 minute

Operating Temperature: -55°C to +105°C

Durability Rating: 500 mating cycles min.

Ordering Information

Part Number	Contact Area Plating Finish
K22-E9S-N	Gold Flash (standard)
K22-E9S-N15	15u" Gold (15 option)
K22-E9S-N30	30u" Gold (30 option)

1 Datecode information printed on all parts on top of plastic housing

2 Kycon name and logo molded into back plastic cover on all parts

CSA NRTL/C Certified File No. LR78160
UL Recognized File No. E140125

Tolerances
X.X ± 0.25
X.XX ± 0.15
Unless Stated Otherwise

REVISION	DATE	DESCRIPTION	DRAWN BY	REV CHECK BY	UNITS
A	9/10/96	New Drawing	C. Leiva	C. Furumasu	mm
A1	1/19/04	ECD #04-006	REVISED BY	REV CHECK DATE	DATE
A2	2/5/04	ECD #04-019	C. Leiva	2/5/04	9/10/96

K22-E9S-N

RT. ANG D-SUB, FEMALE

0.318" FOOTPRINT, boardlocks

