

*GAX/GPX Series Gang
Jacks Right Angle and
Perpendicular PCB Mount*

Features    

- Available in 6 and 8 Position Housings
- Available in Both Right Angle and Top Entry Versions
- Ribbed Pin Guides
- Metal Locking Brackets
- UL Recognized File No. E134345
- CSA/NRTL Certified File No. LR78160

Performance Specifications

Materials and Finish

Housing Material

Thermoplastic, UL 94V-0 Rated, Gray Color

Contact Material

Phosphor Bronze

Electrical Characteristics

Insulation Resistance

500 Megohms Min

Dielectric Withstanding Voltage

1000V AC RMS for 1 Minute

Contact Resistance

20 Milliohms Max

Current Rating

1.5 Amps

MODULAR JACKS AND PLUGS

GAX / GPX Series

Documentation & Ordering Information

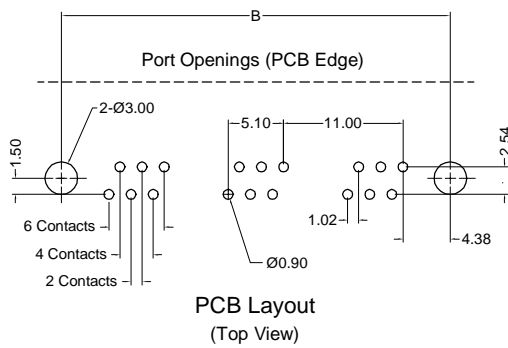
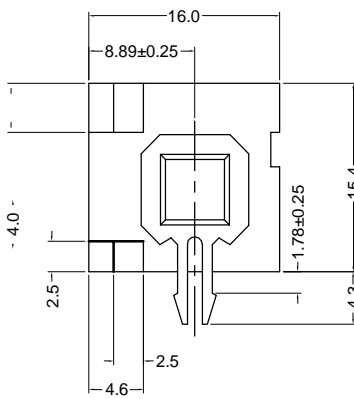
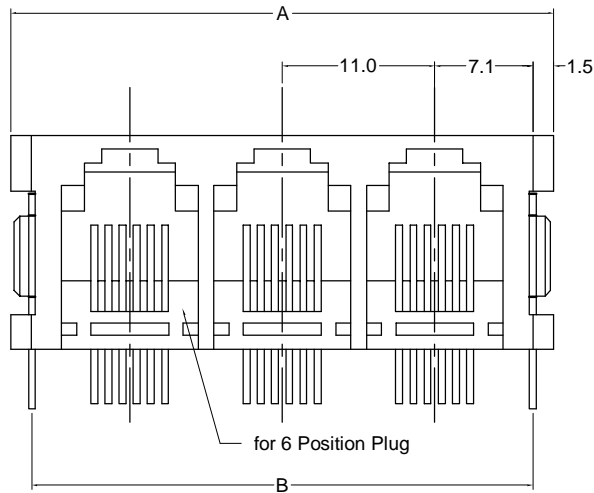
Kycon Part #

Part Number Builder

GAX	-	2	-	6	-	4	-	
Series		Number of Ports		Number of Positions		Number of Contacts		Plating Option
Series								
GAX - Right Angle P.C.B. Mount								
GPX - Perpendicular P.C.B. Mount								
Number of Ports								
2 , 3 , 4 , 5 , 6 , 7 , 8								
Number of Positions								
6 Positions (Up to 8 Ports Maximum)								
8 Positions (Up to 4 Ports Maximum)								
Number of Contacts								
2 Contacts								
4 Contacts								
6 Contacts								
8 Contacts								
Plating Option								
Designator	Plating Description							
Standard	Contacts are Plated with 0.0001 Nickel, Selective Plating 0.000015 Gold on Contact Area							
50	Contacts are Plated with 0.0001 Nickel, Selective Plating 0.000050 Gold on Contact Area to Comply With FCC Requirements Under #47 C.F.R. Part 68 Subpart F							

GAX Series Dimensions

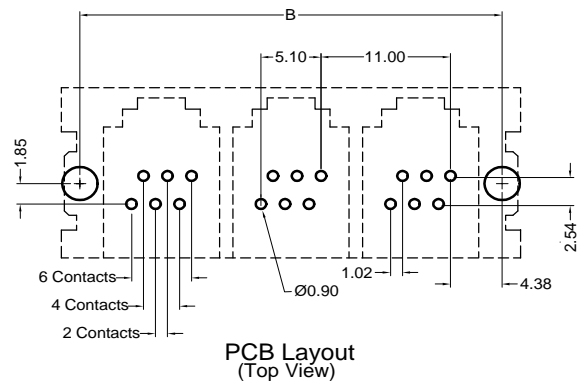
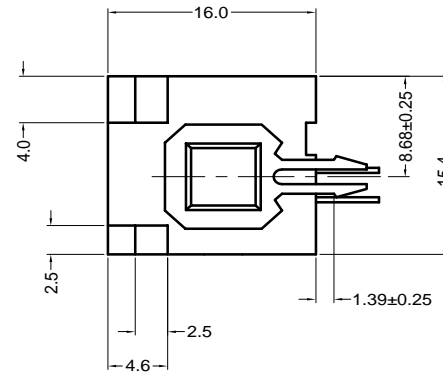
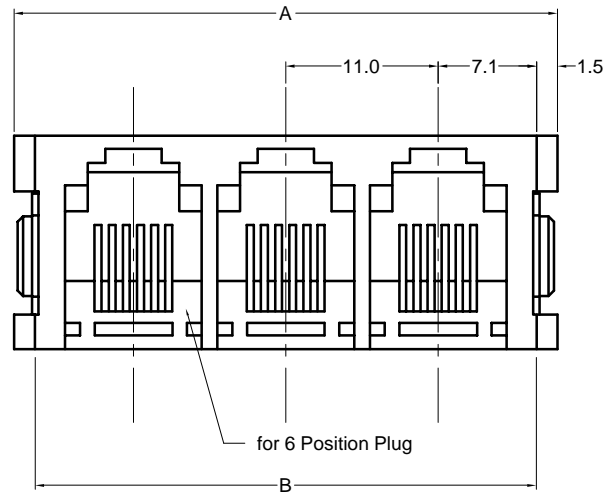
Dimensions in mm [In]



Dimensions [mm]	Number of Ports						
	2	3	4	5	6	7	8
A	28.2	39.2	50.2	61.2	72.2	83.2	94.2
B	25.0	36.0	47.0	58.0	69.0	80.0	91.0

GPX Series Dimensions

Dimensions in mm [In]



Dimensions [mm]	Number of Ports						
	2	3	4	5	6	7	8
A	28.2	39.2	50.2	61.2	72.2	83.2	94.2
B	25.0	36.0	47.0	58.0	69.0	80.0	91.0