

GM Series Right Angle Modular Jack

Features



- 0.45" Height
- Low Profile Design Suitable for PC Add-On Board Applications
- Snap in Board Retention Tabs
- Available in 4, 6, 8, and 10 Position Housings
- Available Fully Shielded for EMI/RFI Protection
- CSA/NRTL Certified File No. LR78160

Performance Specifications

Materials and Finish

Housing Material

PBT Thermoplastic, UL94V-0 Rated, Black Color

Shield Material

Copper Alloy, Nickel Plated

Contact Material

Phosphor Bronze

Electrical Characteristics

Insulation Resistance

500 Megohms Min

Dielectric Withstanding Voltage

1000V AC for 1 Minute

Contact Resistance

20 Milliohms Max

Current Rating

1.5 Amps

MODULAR JACKS AND PLUGS

GM Series

Ordering Information

GM	-	N	-	8		8	-	
Series		Type		Size of Ports		Number of Contacts		Plating Options

Series

GM - Right Angle, PCB Mount

Type

N - Non-Shielded
S - Fully Shielded

Size of Ports

4 - 4 Positions (Not Available Shielded)
6 - 6 Positions
8 - 8 Positions
10 - 10 Positions

Number of Contacts

4 - 4 Contacts
6 - 6 Contacts
8 - 8 Contacts
10 - 10 Contacts

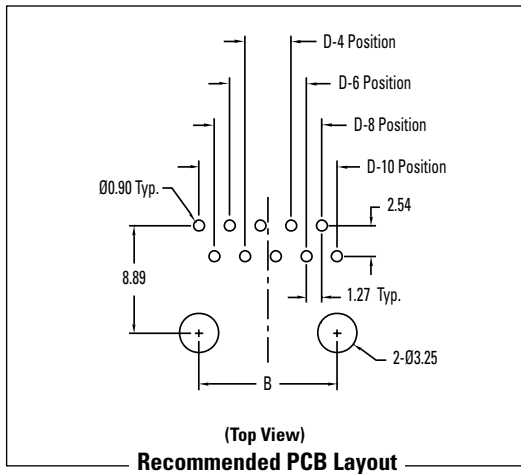
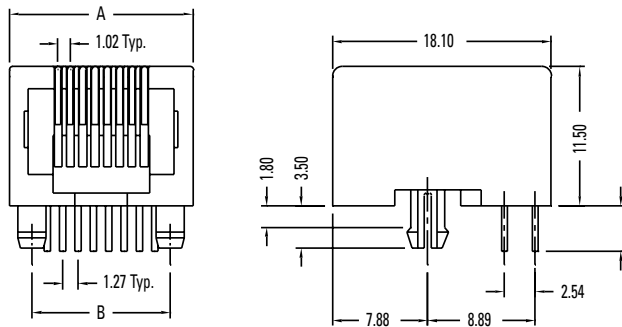
Plating Options

Designator	Plating Description
Standard	Contacts are Plated with 0.0001 Nickel, Selective Plating 0.000015 Gold on Contact area
50	Contacts are Plated with 0.0001 Nickel, Selective Plating 0.000050 Gold on Contact area to Comply with FCC Requirements Under No. 47 C.F.R. Part 68 Subpart F

GM Series Dimensions

Dimensions in mm

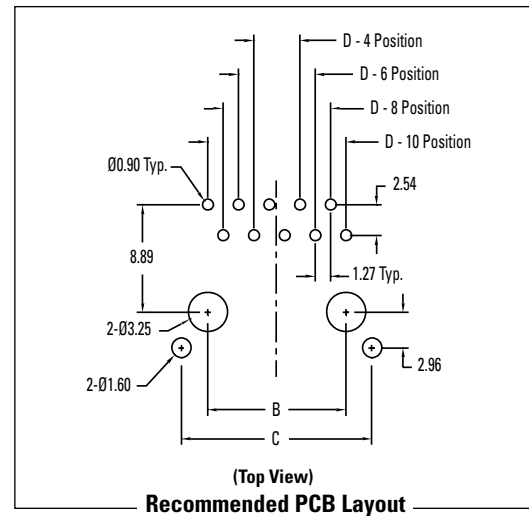
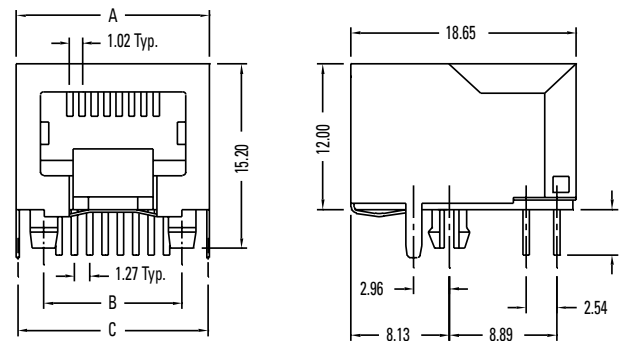
GM-N (Non-Shielded)



GM Series Dimensions

Dimensions in mm

GM-S (Shielded)



Part Number	Dimensions			
	A	B	C	D
GM-N-44	11.18	7.62	-	3.81
GM-N-64	13.20	10.16	-	3.81
GM-N-66	13.20	10.16	-	6.35
GM-N-88	15.24	11.43	-	8.89
GM-N-1010	15.24	11.43	-	11.43

Part Number	Dimensions			
	A	B	C	D
GM-S-64	13.70	10.16	13.50	3.81
GM-S-66	13.70	10.16	13.50	6.35
GM-S-88	16.00	11.43	15.76	8.89
GM-S-1010	16.00	11.43	15.76	11.43