

Electronic Timer Control - Astronomic 365-Day 1-Circuit Electronic Control, 120-277 VAC, 50/60 Hz, SPDT, Outdoor Metal Enclosure, Ethernet Included

Item ET90115CRE



PRODUCT DESCRIPTION

The ET90000 Series combines powerful and intuitive scheduling with truly maintenance-free convenience. The PC App and Mobile App provide real-time remote control, and the USB connection and Ethernet capabilities enable in-field updates.

FEATURES

- ▶ Automatic input voltage selection from 120 to 277 VAC, 50/60 Hz
- ▶ Over 2,000 events plus holiday schedules
- ▶ Advanced scheduling including relative events, such as fourth Thursday of November or first week of year
- ▶ 30 A rated contacts
- ▶ 100-hour supercapacitor eliminates the need for batteries
- ▶ USB connection for uploading, downloading and transferring programs
- ▶ Easy-to-follow on-screen menus for programming to-the-minute accuracy
- ▶ Non-volatile memory protects programming indefinitely
- ▶ Firmware can be upgraded in-field via USB or Ethernet
- ▶ Internally expandable, in 4-circuit increments, up to 16-circuits for 4, 8, and 12-circuit models
- ▶ PC App for easy scheduling or control, either remotely or through USB flash drive
- ▶ Mobile app for real time status and overrides

APPLICATIONS

- ▶ Indoor Lighting Control
- ▶ Outdoor Lighting Control
- ▶ Timing/Scheduling ON/OFF
- ▶ Machinery & Pump Controls

TECHNICAL DATA

General

| | |
|--------------------------------|--------------------------------------------------------------------------------------------------------------------------|
| Model Number | ET90115CRE |
| Description | Astronomic 365-Day 1-Circuit Electronic Control, 120-277 VAC, 50/60 Hz, SPDT, Outdoor Metal Enclosure, Ethernet Included |
| UPC Code | 078275124868 |
| Brand | Intermatic |
| Country of Origin (Intermatic) | MEXICO |
| Warranty Period | 3-Year limited |

Control Specifications

| | |
|-----------------------------|-----------------------|
| Minimum ON/OFF Times | 1 Sec |
| Minimum Pulse Time | 1 sec |
| Maximum Pulse Time | 23 hours, 59 minutes |
| Maximum ON/OFF Times | 365 days |
| Maximum ON/OFF Operations | 2000 |
| Setpoint Program Count | 2000 |
| ON/OFF Operations | 2000 |
| Operation Features | Astronomic; Holiday |
| Operation Mode | 365 day |
| Data Transfer Options | Ethernet Optional/USB |
| Daylight Savings Adjustment | Automatic |

| | |
|-------------------------|----------------|
| Backup Restoration Time | 30 Minutes |
| Backup Type | Supercapacitor |
| Backup Protection Time | 100 Hour |

Mechanical Specifications

| | |
|----------------|-----------------------|
| Enclosure Type | Outdoor type 3R metal |
|----------------|-----------------------|

Dimensions

| | |
|-----------------------------------|--------------------|
| Product Dimensions (H x W x D) in | 9.6 x 5.7 x 3.6 in |
|-----------------------------------|--------------------|

Load Ratings

| | |
|-------------------------------------------|------------------------------------------------------|
| Magnetic Ballast (NO) Range(s) | 20 A, 120-277 VAC, 50/60 Hz |
| Magnetic Ballast (NC) Range(s) | 3 A, 120-277 VAC, 50/60 Hz |
| Resistive (NO) Range(s) | 20 A, 28 VDC; 30 A, 12-240 VAC, 50/60 Hz |
| Resistive (NC) Range(s) | 10 A, 28 VDC; 10 A, 12-240 VAC, 50/60 Hz |
| Pilot Duty (NO) Range(s) | 470 VA, 120-240 VAC, 50/60 Hz |
| Pilot Duty (NC) Range(s) | 275 VA, 120-240 VAC, 50/60 Hz |
| General Purpose (NC) Range(s) | 10 A, 12-240 VAC, 50/60 Hz |
| General Purpose (NO) Range(s) | 30 A, 12-240 VAC, 50/60 Hz |
| Electronic Ballast Load Ratings NO Ranges | 8 A, 120-277 VAC, 50/60 Hz |
| Tungsten (NO) Range(s) | 5 A, 12-120 VAC, 50/60 Hz |
| Motor Load Ratings NC Ranges | 1/4 HP, 120 VAC, 50/60 Hz; 1/2 HP, 240 VAC, 50/60 Hz |
| Motor Load Ratings NO Ranges | 1 HP, 120 VAC, 50/60 Hz; 2 HP, 240 VAC, 50/60 Hz |

Electrical Specifications

| | |
|-------------------------------|-----------------------|
| Voltage Selection Type | Auto Voltage |
| Wiring Option | Terminals |
| Input Voltage Range(s) | 120-277 VAC, 50/60 Hz |
| Number of Circuits | 1 |
| Switch Type | SPDT |
| Maximum Power Consumption (W) | 16 W |
| Electronic Series | ET90000 Series |

Packaging

| | |
|---------------------------------------|---------------------|
| Shipping Weight (lbs) | 3.642 |
| Unit Carton Dimensions (H x W x L) in | 9 x 4.38 x 11.38 in |

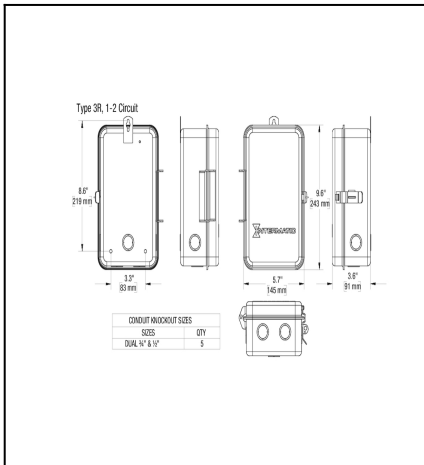
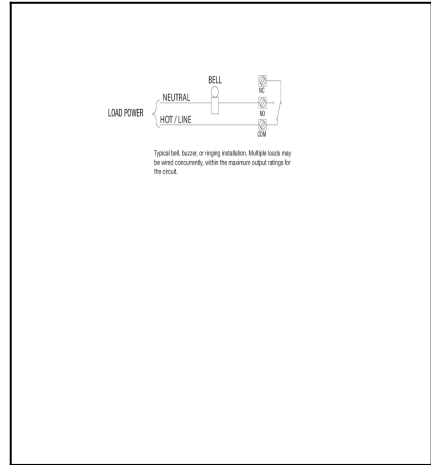
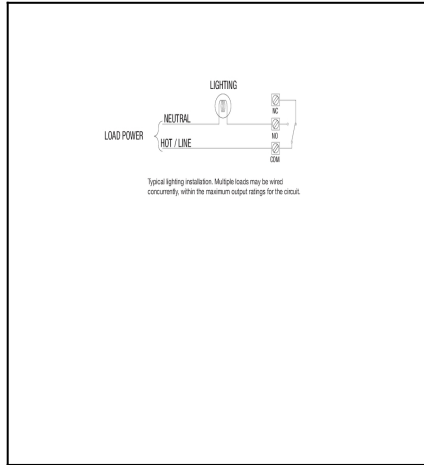
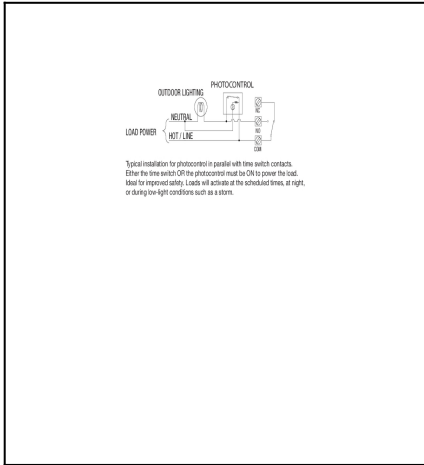
Environmental Specifications

| | |
|-------------------------|--------------------------------------|
| Temperature (operation) | -40 °F to 104 °F / (-40 °C to 40 °C) |
|-------------------------|--------------------------------------|

Standards and Certifications

| | |
|------------------------------------------|----------|
| UL Certification | cULus |
| CSA Certification | cCSAus |
| Other Certifications and Compatibilities | Title 20 |
| California Proposition 65 | Lead |

DRAWINGS AND DIAGRAMS



ACCESSORIES



ET-NF
RC Snubber Noise Filter 24-277VAC/DC for Electronic Controls