

Weather Proof Cover - Plastic In-Use Weatherproof Cover, Single-Gang, Vrt/Hrz, 2.75" Clear

Item WP3100C



PRODUCT DESCRIPTION

Plastic In-Use Weatherproof Covers are easy to install and include adhered gasket, mounting screws, base, cover assembly and inserts to meet the needs of a variety of applications.

FEATURES

- ▶ Complies with 2020 NEC Article 314.15 for damp and wet locations
- ▶ UL Certified for Type 3R outdoor enclosures
- ▶ Meets requirements for cold impact testing: -60° F (-51° C)
- ▶ Heavy-duty UV stabilized polycarbonate cover, mounting base and inserts
- ▶ 1/8" (3 mm) thick, pre-adhered neoprene gasket with slits for mounting screws
- ▶ Lockable hasp: All models accept up to 1/4" (6 mm) dia shank, except WP3100C & WP3103C accept up to 1/8" (3 mm) dia shank
- ▶ Three inserts provided with all models that allow each model to meet multiple installations (up to 16 configurations)
- ▶ Max cord size: (2) #14 AWG or (1) #12 AWG
- ▶ Mounts vertically or horizontally
- ▶ Warranty: 1-year limited

APPLICATIONS

- ▶ Receptacle Protection

TECHNICAL DATA

General	
Model Number	WP3100C
Description	Plastic In-Use Weatherproof Cover, Single-Gang, Vrt/Hrz, 2.75" Clear
UPC Code	078275106093
Brand	Intermatic
Country of Origin (Intermatic)	MEXICO
Warranty Period	1-Year limited

Mechanical Specifications	
Number of Included Inserts	3
Insert Types Included	WP17
Hinge Direction	Vertical/Horizontal
Is Extra-Duty Rated	No

Dimensions	
Product Dimensions (H x W x D) in	5 3/4 x 4 x 2 3/4 in
Accepted Cord Size Max	2x14 AWG; 1x12 AWG
Box Type	Single

Material Specifications	
Color	Clear
Weatherproof Cover Material	UV Stabilized Plastic

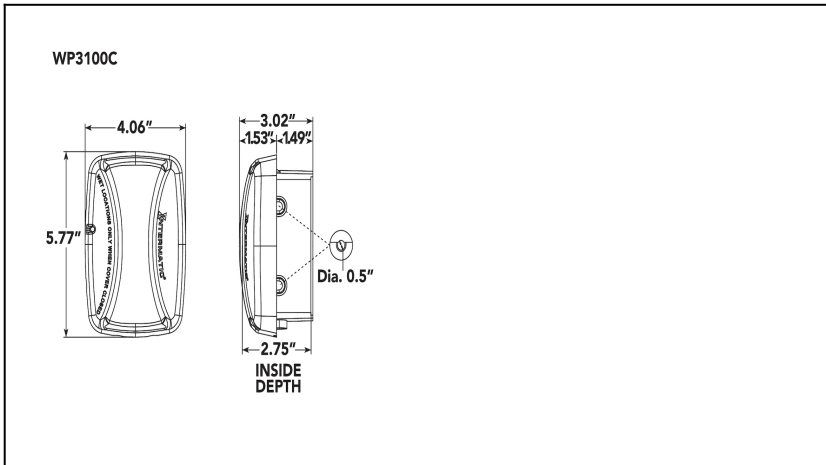
Packaging

Shipping Weight (lbs)	0.399
Unit Carton Dimensions (H x W x L) in	2.639 x 4.069 x 5.759 in

Standards and Certifications

UL Certification	UL
California Proposition 65	None

DRAWINGS AND DIAGRAMS



ACCESSORIES



WP17
Single-Gang Inserts (3)