

## Weather Proof Cover - Plastic In-Use Weatherproof Cover, Double-Gang, Vrt, 4.75" Clear

Item WP1250C



### PRODUCT DESCRIPTION

Plastic In-Use Weatherproof Covers are easy to install and include a gasket, mounting screws, base, cover assembly, and inserts to meet the needs of a variety of applications.

### FEATURES

- ▶ Complies with 2020 NEC Article 314.15 for damp and wet locations
- ▶ UL Certified for Type 3R outdoor enclosures
- ▶ Meets requirements for cold impact testing: -60° F (-51° C)
- ▶ Heavy-duty UV stabilized polycarbonate cover, mounting base and inserts
- ▶ 1/8" (3 mm) thick neoprene gasket with slits for mounting screws
- ▶ Six inserts provided with all models that allow each model to meet multiple installations (up to 70 configurations)
- ▶ Max cord size: (2) #14 AWG or (1) #12 AWG, WP1250 (2) #14 AWG or (1) #10 AWG
- ▶ Warranty: 1-year limited

### APPLICATIONS

- ▶ Receptacle Protection

### TECHNICAL DATA

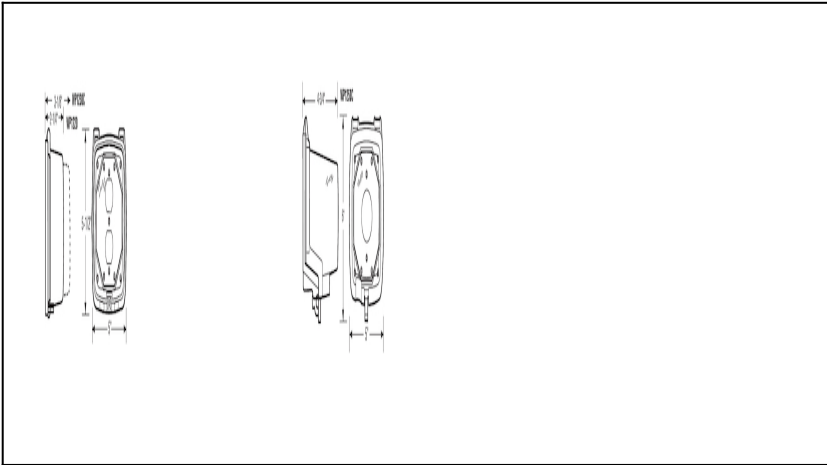
General	
Model Number	WP1250C
Description	Plastic In-Use Weatherproof Cover, Double-Gang, Vrt, 4.75" Clear
UPC Code	078275072718
Brand	Intermatic
Country of Origin (Intermatic)	MEXICO
Warranty Period	1-Year limited
Mechanical Specifications	
Number of Included Inserts	6
Insert Types Included	WP217
Hinge Direction	Vertical
Is Extra-Duty Rated	No
Dimensions	
Product Dimensions (H x W x D) in	6 x 5 x 4 3/4 in
Accepted Cord Size Max	2x14 AWG; 1x10 AWG
Box Type	Double
Material Specifications	
Color	Clear
Weatherproof Cover Material	UV Stabilized Plastic
Packaging	
Shipping Weight (lbs)	0.701
Unit Carton Dimensions (H x W x L) in	5.251 x 5.501 x 6.501 in

### Standards and Certifications

UL Certification	UL
California Proposition 65	None

---

**DRAWINGS AND DIAGRAMS**



---

**ACCESSORIES**



WP217  
Double-Gang Inserts (6)