

Weather Proof Cover - Plastic In-Use Weatherproof Cover, Double-Gang, Vrt, 2.25" Gray

Item WP1020GC



FEATURES

- ▶ Complies with 2020 NEC Article 314.15 for damp and wet locations
- ▶ UL Certified for Type 3R outdoor enclosures
- ▶ Meets requirements for cold impact testing: -60° F (-51° C)
- ▶ Heavy-duty UV stabilized polycarbonate cover, mounting base and inserts
- ▶ 1/8" (3 mm) thick neoprene gasket with slits for mounting screws
- ▶ Two inserts provided with all models for multiple installations
- ▶ Max cord size: (2) #14 AWG or (1) #12 AWG, WP1050 (2) #14 AWG or (1) #10 AWG
- ▶ Warranty: 1-year limited

APPLICATIONS

- ▶ Receptacle Protection

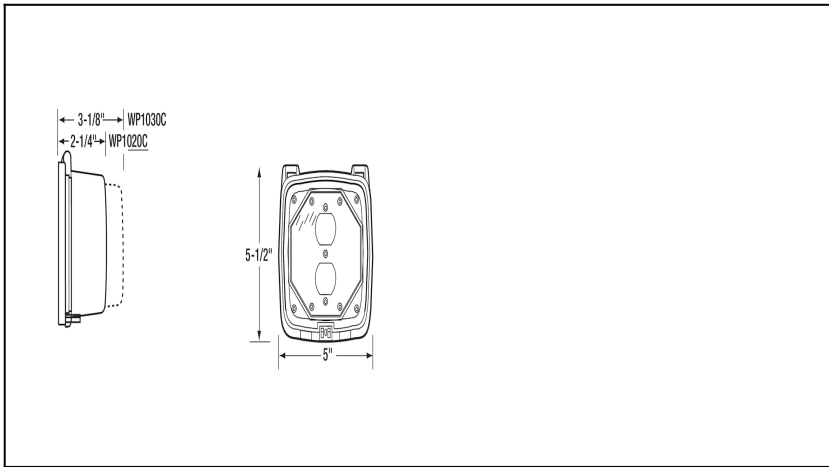
TECHNICAL DATA

General	
Model Number	WP1020GC
Description	Plastic In-Use Weatherproof Cover, Double-Gang, Vrt, 2.25" Gray
UPC Code	078275044012
Brand	Intermatic
Country of Origin (Intermatic)	MEXICO
Warranty Period	1-Year limited
Mechanical Specifications	
Number of Included Inserts	2
Insert Types Included	WP101; WP102
Hinge Direction	Vertical
Is Extra-Duty Rated	No
Dimensions	
Product Dimensions (H x W x D) in	5 1/2 x 5 x 2 1/4 in
Accepted Cord Size Max	2x14 AWG; 1x12 AWG
Box Type	Double
Material Specifications	
Color	Gray
Weatherproof Cover Material	UV Stabilized Plastic
Packaging	
Shipping Weight (lbs)	0.539
Unit Carton Dimensions (H x W x L) in	3.133 x 5.253 x 5.503 in
Standards and Certifications	
UL Certification	UL

California Proposition 65

None

DRAWINGS AND DIAGRAMS



ACCESSORIES



WP101
Double-Gang Duplex Insert



WP102
Double-Gang GFCI Insert