

Surge Protection Device - Surge Protective Device, 3-Mode, 120/240 VAC 1Ph, Type 1 or Type 2, Outdoor Plastic, Connected Equipment Warranty 3 yr \$7,500

Item IG1200RC3



PRODUCT DESCRIPTION

The IG1200 Surge Protective Device (SPD) is designed for a variety of applications. Trusted, state-of-the-art TPMOV® (Thermally Protected Metal Oxide Varistor) surge protection technology eliminates the potentially hazardous failure modes that are commonly associated with standard MOV technology.

FEATURES

- ▶ Three modes of surge protection
- ▶ TPMOV® surge protection technology
- ▶ Green LED indicator provides status of protection
- ▶ Type 3R rainproof enclosure for indoor/outdoor applications in plastic
- ▶ 3-year product warranty
- ▶ \$7,500 connected equipment warranty on appliances and electronics
- ▶ CSA certified to ANSI/UL 1449 3rd edition

APPLICATIONS

- ▶ Whole Home Protection

TECHNICAL DATA

General

Model Number	IG1200RC3
Description	Surge Protective Device, 3-Mode, 120/240 VAC 1Ph, Type 1 or Type 2, Outdoor Plastic, Connected Equipment Warranty 3 yr \$7,500
UPC Code	078275128569
Brand	Intermatic
Country of Origin (Intermatic)	MEXICO
Warranty Period	3-Year limited
Connected Equipment Warranty Period	3-Year limited
Connected Equipment Warranty Coverage (USD)	7500
Surge Protection Type	1; 2

Electrical Specifications

Modes of Protection	3 (L1-N, L2-N, L1-L2)
Short Circuit Current Rating	100 kA
Nominal Discharge Current	20 kA
Maximum Surge Current Rating Per Phase	50 kA
Surge Protection Technology	TPMOV®
Maximum Continuous Operating Voltage (L-L)	300
Maximum Continuous Operating Voltage (L-N)	150
Voltage Protection Rating (L-L)	1200
Voltage Protection Rating (L1-N/G)	700
Phase	Single
Voltage	120/240 VAC Single-Phase

Control Specifications

Surge Protection LED Indicator

Green

Mechanical Specifications

Number of Wire Leads	3
Enclosure Type	Outdoor type 3R plastic

Dimensions

Product Dimensions (H x W x D) in	4 3/16 x 4 3/16 x 3 7/16 in
Wire Lead Length (in)	30
Wire Size Max	#12 AWG, Tinned Copper

Packaging

Shipping Weight (lbs)	1.098
Unit Carton Dimensions (H x W x L) in	7.501 x 3.751 x 6.251 in

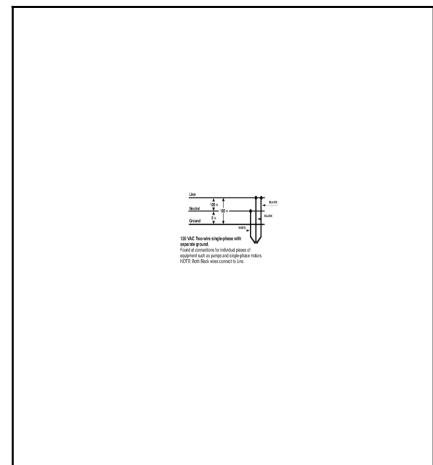
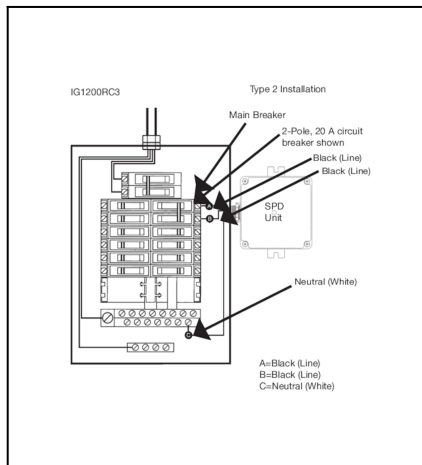
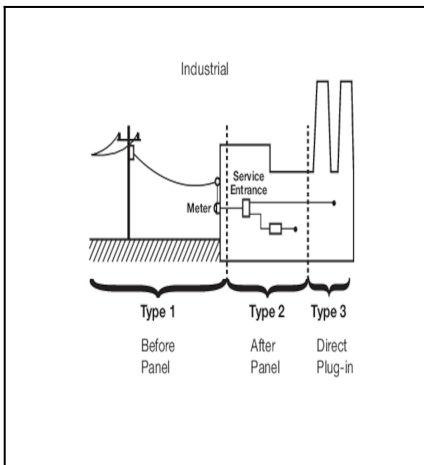
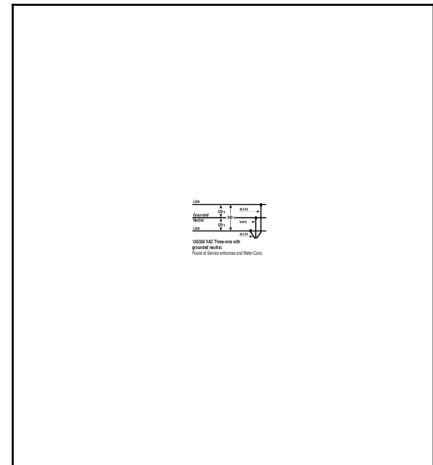
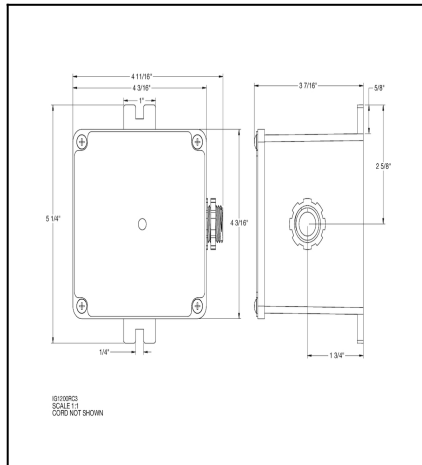
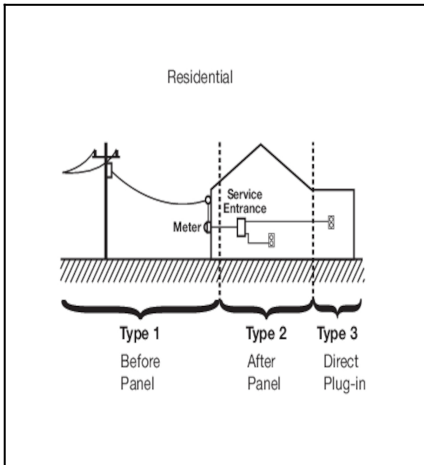
Environmental Specifications

Temperature (operation)	-31 °F to 185 °F / (-35 °C to 85 °C)
-------------------------	--------------------------------------

Standards and Certifications

CSA Certification	cCSAus SPD Type 1; cCSAus SPD Type 2
UL Standard	Ansi/UL 1449 3rd Edition
California Proposition 65	DEHP

DRAWINGS AND DIAGRAMS



ACCESSORIES



IG1240FMP33

Flush Mount Kit for IG1200RC3 and IG1240RC3