

Photocontrol - Locking Type Receptacle, 3-Pin, C136.10 Compliant, 9" lead

Item K121



PRODUCT DESCRIPTION

The K121 NEMA receptacles provide the connector interface for locking type photocontrols. They can be installed in the light fixture itself (K121), or attached externally with the use of a mounting bracket (K122).

FEATURES

- ▶ NEMA receptacle with 3-prong sockets
- ▶ Compliant to ANSI C136.10 specifications

TECHNICAL DATA

General

Model Number	K121
Description	Locking Type Receptacle, 3-Pin, C136.10 Compliant, 9" lead
UPC Code	078275045408
Brand	Intermatic
Country of Origin (Intermatic)	CHINA
Warranty Period	1-Year limited

Dimensions

Product Height (in)	1.52
Product Height (mm)	38.6
Product Diameter (in)	2.55
Product Diameter (mm)	64.7

Material Specifications

Color	Black
Base Material	Phenolic
Power Contacts Material	Brass/Phosphor Bronze
Gasket	(Integrated) Thermal Elastomer
Wire Leads	#14 AWG, 105°C, AWM3321

Electrical Specifications

Power Contacts Rating	480 V max, 15 A max
-----------------------	---------------------

Packaging

Shipping Weight (lbs)	0.201
Unit Carton Dimensions (H x W x D) in	4.381 x 2.631 x 2.631 in

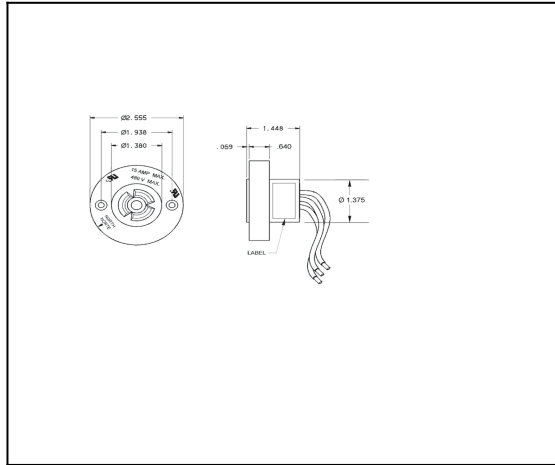
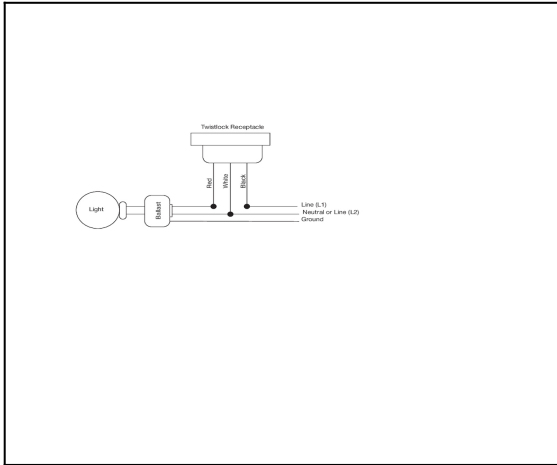
Environmental Specifications

Temperature (operation) -40°C..80°C

Standards and Certifications

Other Certifications and Compatibilities	cRUus
California Proposition 65	DEHP
RoHS Certification	Yes
PDF Standards And Certifications	cRUus
Epi Certifications	cRUus

DRAWINGS AND DIAGRAMS



ACCESSORIES



K121-GSKT
Locking Type Receptacle Gasket