

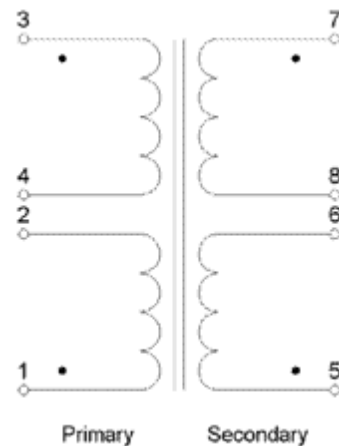
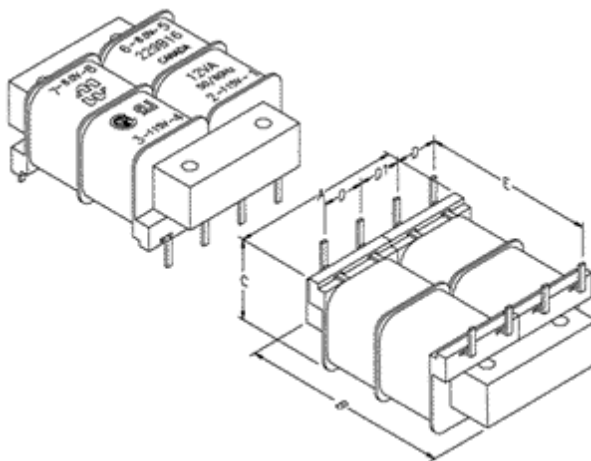


Quality Products. Service Excellence.

Low Voltage PCB Mount - Low Profile - 2 VA to 48 VA 229 Series

Features

- Low profile mounting, dual - split bobbin design.
- Low primary to secondary coupling, balanced windings, no electrostatic shield required and low EMF radiation due to semi-toroidal design.
- Universal dual primary 115/230V - 50/60 Hz.
- High insulation - Hipot of 1,750V RMS.
- Class B insulation - 130 degrees C.
- C UL US recognized. UL file E207860



| Dual Primary | Size | Secondary (RMS) | |
|--------------|------|--------------------|--------------|
| 115/230V | (VA) | | Parallel |
| Part No. | | Series | |
| 229E10 | 2 | 10V C.T. @ 250ma | 5V @ 500ma |
| 229A10 | 6 | 10V C.T. @ 600ma | 5V @ 1.2A |
| 229B10 | 12 | 10V C.T. @ 1.2A | 5V @ 2.4A |
| 229C10 | 24 | 10V C.T. @ 2.4A | 5V @ 4.8A |
| 229D10 | 48 | 10V C.T. @ 4.8A | 5V @ 9.6A |
| 229E12 | 2 | 12.6V C.T. @ 200ma | 6.3V @ 400ma |
| 229A12 | 6 | 12.6V C.T. @ 450ma | 6.3V @ 900ma |
| 229B12 | 12 | 12.6V C.T. @ 900ma | 6.3V @ 1.8a |
| 229C12 | 24 | 12.6V C.T. @ 1.9A | 6.3V @ 3.8A |
| 229D12 | 48 | 12.6V C.T. @ 3.8A | 6.3V @ 7.6A |
| 229E16 | 2 | 16V C.T. @ 150ma | 8V @ 300ma |
| 229A16 | 6 | 16V C.T. @ 350ma | 8V @ 700ma |
| 229B16 | 12 | 16V C.T. @ 700ma | 8V @ 1.4A |
| 229C16 | 24 | 16V C.T. @ 1.5A | 8V @ 3A |
| 229D16 | 48 | 16V C.T. @ 3A | 8V @ 6A |
| 229E20 | 2 | 20V C.T. @ 125ma | 10V @ 250ma |
| 229A20 | 6 | 20V C.T. @ 300ma | 10V @ 600ma |
| 229B20 | 12 | 20V C.T. @ 600ma | 10V @ 1.2A |
| 229C20 | 24 | 20V C.T. @ 1.2A | 10V @ 2.4A |
| 229D20 | 48 | 20V C.T. @ 2.4A | 10V @ 4.8A |

| Dual Primary | | Secondary (RMS) | |
|--------------|------|-------------------|--------------|
| 115/230V | Size | | |
| Part No. | (VA) | Series | Parallel |
| 229E24 | 2 | 24V C.T. @ 100ma | 12V @ 200ma |
| 229A24 | 6 | 24V C.T. @ 250ma | 12V @ 500ma |
| 229B24 | 12 | 24V C.T. @ 500ma | 12V @ 1A |
| 229C24 | 24 | 24V C.T. @ 1A | 12V @ 2A |
| 229D24 | 48 | 24V C.T. @ 2A | 12V @ 4A |
| 229E30 | 2 | 30V C.T. @ 85ma | 15V @ 170ma |
| 229A30 | 6 | 30V C.T. @ 200ma | 15V @ 400ma |
| 229B30 | 12 | 30V C.T. @ 400ma | 15V @ 800ma |
| 229C30 | 24 | 30V C.T. @ 800ma | 15V @ 1.6A |
| 229D30 | 48 | 30V C.T. @ 1.6A | 15V @ 3.2A |
| 229E34 | 2 | 34V C.T. @ 75ma | 17V @ 150ma |
| 229A34 | 6 | 34V C.T. @ 170ma | 17V @ 340ma |
| 229B34 | 12 | 34V C.T. @ 340ma | 17V @ 680ma |
| 229C34 | 24 | 34V C.T. @ 700ma | 17V @ 1.4A |
| 229D34 | 48 | 34V C.T. @ 1.4A | 17V @ 2.8A |
| 229E40 | 2 | 40V C.T. @ 60ma | 20V @ 120ma |
| 229A40 | 6 | 40V C.T. @ 150ma | 20V @ 300ma |
| 229B40 | 12 | 40V C.T. @ 300ma | 20V @ 600ma |
| 229C40 | 24 | 40V C.T. @ 600ma | 20V @ 1.2A |
| 229D40 | 48 | 40V C.T. @ 1.2A | 20V @ 2.4A |
| 229E56 | 2 | 56V C.T. @ 45ma | 28V @ 90ma |
| 229A56 | 6 | 56V C.T. @ 100ma | 28V @ 200ma |
| 229B56 | 12 | 56V C.T. @ 200ma | 28V @ 400ma |
| 229C56 | 24 | 56V C.T. @ 425ma | 28V @ 850ma |
| 229D56 | 48 | 56V C.T. @ 850ma | 28V @ 1.7A |
| 229E88 | 2 | 88V C.T. @ 28ma | 44V @ 56ma |
| 229A88 | 6 | 88V C.T. @ 65ma | 44V @ 130ma |
| 229B88 | 12 | 88V C.T. @ 130ma | 44V @ 260ma |
| 229E120 | 2 | 120V C.T. @ 20ma | 60V @ 40ma |
| 229A120 | 6 | 120V C.T. @ 50ma | 60V @ 100ma |
| 229B120 | 12 | 120V C.T. @ 100ma | 60V @ 200ma |
| 229E230 | 2 | 230V C.T. @ 10ma | 115V @ 20ma |
| 229A230 | 6 | 230V C.T. @ 25ma | 115V @ 50ma |
| 229B230 | 12 | 230V C.T. @ 50ma | 115V @ 100ma |

Mechanical & Schematic Data

| Size (VA) | Regulation | PC Board | | Dimensions | | | | | | |
|-----------|------------|--------------|-------------|------------|------|------|------|------|------|--|
| | | Card Spacing | Pin Size | A | B | C | D | D1 | E | |
| 2 | 0.3 | 0.75 | 0.02 x 0.04 | 1.56 | 1.88 | 0.65 | 0.38 | 0.38 | 1.60 | |
| 6 | 0.3 | 1.00 | 0.02 x 0.04 | 1.56 | 1.88 | 0.85 | 0.38 | 0.38 | 1.60 | |
| 12 | 0.2 | 1.25 | 0.02 x 0.04 | 2.00 | 2.50 | 1.07 | 0.50 | 0.50 | 2.00 | |
| 24 | 0.15 | 1.50 | 0.04 x 0.04 | 2.25 | 2.87 | 1.25 | 0.60 | 0.53 | 1.90 | |
| 48 | 0.15 | 1.50 | 0.04 x 0.04 | 2.50 | 3.12 | 1.38 | 0.60 | 0.66 | 2.18 | |

Data subject to change without notice

