

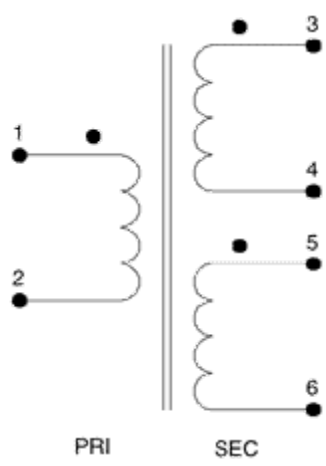
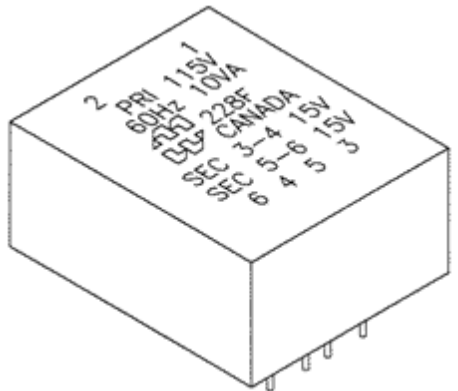
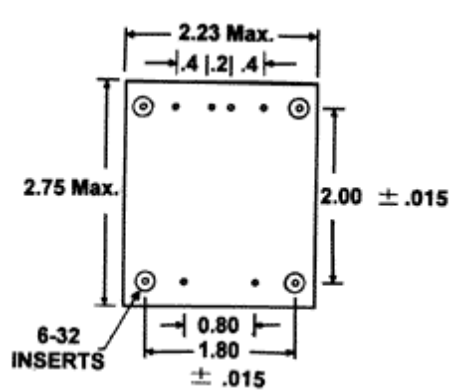
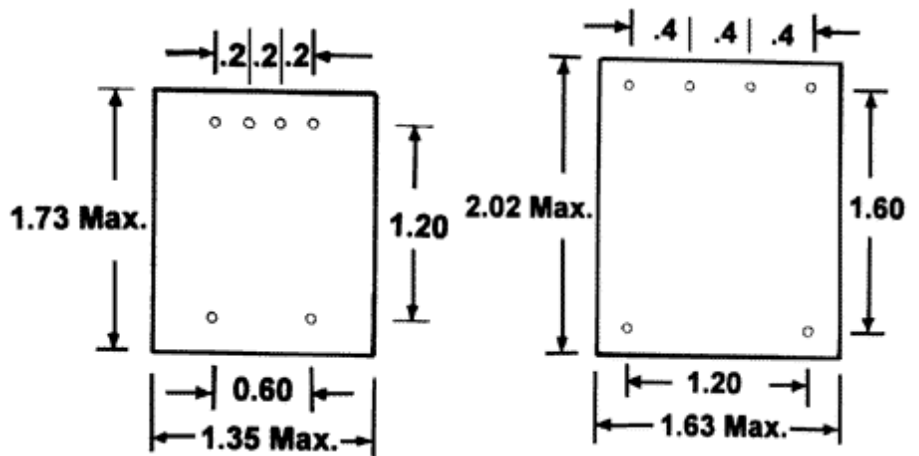


Quality Products. Service Excellence.

# Low Voltage PCB Mount - Epoxy Cast - 1 VA to 40 VA 226-227-228 Series

## Features

- Primary 115 VAC, 60 or 400Hz. models, 3 case sizes
- Epoxy cast to withstand shock and severe environments
- Two coil design provides balanced windings and low magnetic radiation - no electrostatic shield required.
- 228 series include four, 6-32 X .38 machine screw inserts for less strain on p.c. board connections.



**226 Series:**

| Part No. | Size Freq. |      | Secondary (RMS)  |             | Temp. Rise<br>(C) | %<br>Regulation | High<br>Max | Pin<br>Diameter | Weight<br>lbs. |
|----------|------------|------|------------------|-------------|-------------------|-----------------|-------------|-----------------|----------------|
|          | (VA)       | (Hz) | Series           | Parallel    |                   |                 |             |                 |                |
| 226D     | 1          | 60   | 20V C.T. @ 50ma  | 10V @ 100ma | 25                | 19.7            | 0.8         | 0.04            | 0.22           |
| 226F     | 1          | 60   | 30V C.T. @ 34ma  | 15V @ 67ma  | 25                | 21.7            | 0.8         | 0.04            | 0.22           |
| 226H     | 1          | 60   | 40V C.T. @ 25ma  | 20V @ 50ma  | 25                | 18.9            | 0.8         | 0.04            | 0.22           |
| 226N     | 20         | 400  | 20V C.T. @ 1A    | 10V @ 2A    | 35                | 7.2             | 0.8         | 0.04            | 0.22           |
| 226P     | 20         | 400  | 26V C.T. @ 770ma | 13V @ 1.54A | 35                | 7.6             | 0.8         | 0.04            | 0.22           |
| 226R     | 20         | 400  | 30V C.T. @ 670ma | 15V @ 1.33A | 35                | 7.5             | 0.8         | 0.04            | 0.22           |
| 226T     | 20         | 400  | 40V C.T. @ 500ma | 20V @ 1A    | 35                | 7.2             | 0.8         | 0.04            | 0.22           |

**227 Series:**

| Part No. | Size Freq. |      | Secondary (RMS)  |             | Temp. Rise<br>(C) | %<br>Regulation | High<br>Max | Pin<br>Diameter | Weight<br>lbs. |
|----------|------------|------|------------------|-------------|-------------------|-----------------|-------------|-----------------|----------------|
|          | (VA)       | (Hz) | Series           | Parallel    |                   |                 |             |                 |                |
| 227D     | 5          | 60   | 20V C.T. @ 250ma | 10V @ 500ma | 25                | 20.07           | 1.05        | 0.05            | 0.38           |
| 227F     | 5          | 60   | 30V C.T. @ 170ma | 15V @ 340ma | 25                | 24              | 1.05        | 0.05            | 0.38           |
| 227H     | 5          | 60   | 40V C.T. @ 125ma | 20V @ 250ma | 25                | 26              | 1.05        | 0.05            | 0.38           |
| 227N     | 40         | 400  | 20V C.T. @ 2A    | 10V @ 4A    | 45                | 6               | 1.05        | 0.05            | 0.38           |
| 227P     | 40         | 400  | 26V C.T. @ 1.54A | 13V @ 3.08A | 45                | 5.7             | 1.05        | 0.05            | 0.38           |
| 227R     | 40         | 400  | 30V C.T. @ 1.33A | 15V @ 2.66A | 45                | 6               | 1.05        | 0.05            | 0.38           |
| 227T     | 40         | 400  | 40V C.T. @ 1A    | 20V @ 2A    | 45                | 5.7             | 1.05        | 0.05            | 0.38           |

**228 Series:**

| Part No. | Size Freq. |      | Secondary (RMS)  |             | Temp. Rise<br>(C) | %<br>Regulation | High<br>Max | Pin<br>Diameter | Weight<br>lbs. |
|----------|------------|------|------------------|-------------|-------------------|-----------------|-------------|-----------------|----------------|
|          | (VA)       | (Hz) | Series           | Parallel    |                   |                 |             |                 |                |
| 228D     | 10         | 60   | 20V C.T. @ 500ma | 10V @ 1A    | 20                | 12.2            | 1.22        | 0.50            | 0.91           |
| 228F     | 10         | 60   | 30V C.T. @ 340ma | 15V @ 670ma | 20                | 12.5            | 1.22        | 0.50            | 0.91           |
| 228H     | 10         | 60   | 40V C.T. @ 250ma | 20V @ 500ma | 20                | 12.2            | 1.22        | 0.50            | 0.91           |

*Data subject to change without notice*

© 2022. Hammond Manufacturing Ltd. All rights reserved.