

**AC Axial Fans**



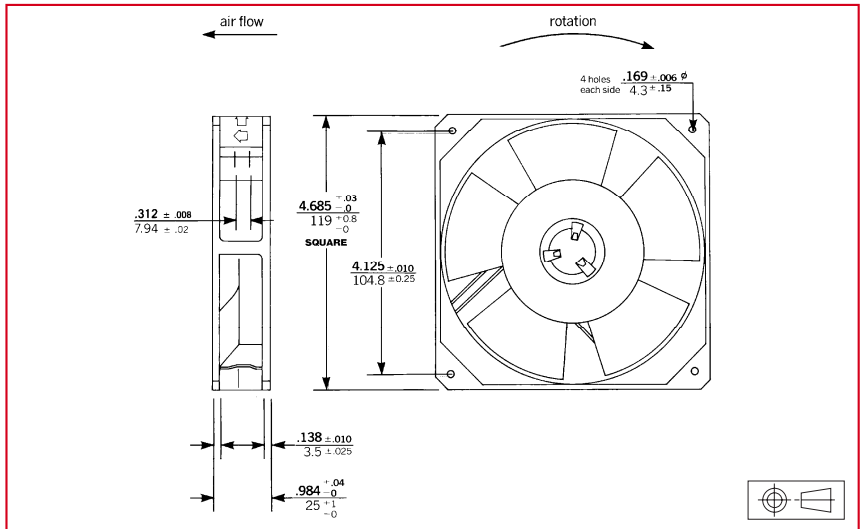
**Approvals**



GAM T1 listed

**Life expectancy**

L-10 LIFE AT 40°C:  
80 000 hours (ball bearings)  
50 000 hours (sleeve bearings)

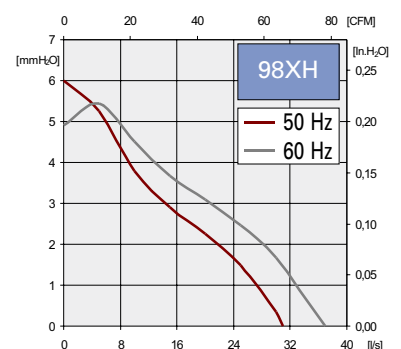
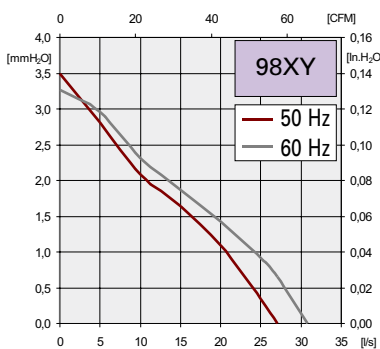
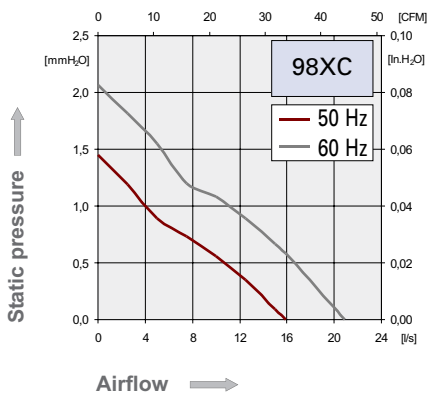


**AC Motor**

Electrical protection: impedance protected  
Housing material: zamak  
Impeller material: plastic UL 94 VO  
Weight: 0,465 kg

**Available with:**

- speed sensor



Part number	Nominal voltage	Airflow	Noise level	Nominal speed	Frequency	Phases	Capacitor	Input power	Nominal current	Starting current	Bearing system	Connection type		Operating temperature	
	V	l/s	dB(A)	RPM	Hz		µF	W	mA	mA	Ball / Sleeve	Leads	Terminals	Min. °C	Max. °C
98XC0182000	115	16	32	1300	50	1		12	130	150	X		X	-10	70
		21	35	1700	60	1		10	110	130	X		X	-10	70
98XC0181000	208-240	16	32	1300	50	1		14	80	90	X		X	-10	70
		21	35	1700	60	1		12	70	75	X		X	-10	70
98XY0182000	115	27	36	2100	50	1		10	120	140	X		X	-10	70
		31	38	2400	60	1		9	100	120	X		X	-10	70
98XY0181000	208-240	27	36	2100	50	1		12	65	80	X		X	-10	70
		31	38	2400	60	1		10	55	65	X		X	-10	70
98XH0182020	115	31	41	2550	50	1		13	135	200	X		X	-10	70
		37	44	3000	60	1		11	110	180	X		X	-10	70
98XH0181000	208-240	31	41	2550	50	1		15	80	100	X		X	-10	70
		37	44	3000	60	1		13	65	90	X		X	-10	70

**Additional versions:**

Shock and vibration protected -  
Wide temperature range - Sleeve bearings

**Accessories:**

- Plastic filter P/N : F120/T102 and 120V
- Plastic finger guards P/N : PFG-120 and 121-53
- Rubber mounts P/N : AM-10
- Metal filters: 96-152 and 96-302
- Metal finger guard P/N : 9601-43
- Metal mesh filter P/N : 120-G