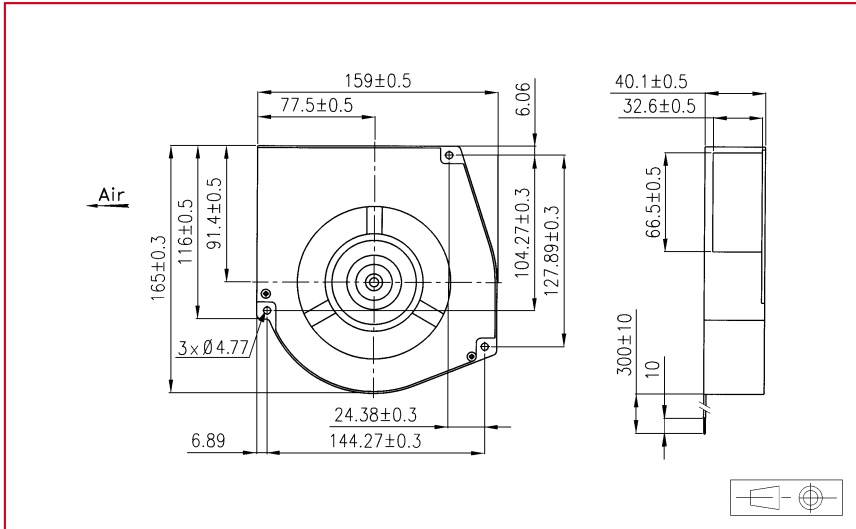




## 165 x 159 x 40 mm



### Approvals



### Life expectancy

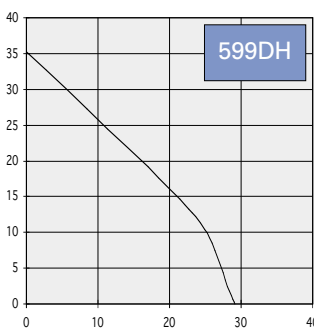
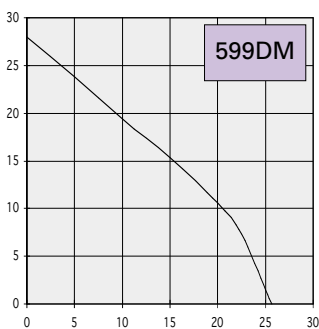
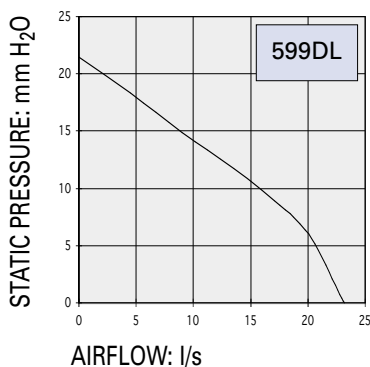
L-10 LIFE AT 40°C:  
25 000 hours

### Brushless DC Motor

Electrical protection: impedance protected  
Housing material: plastic UL 94 VO  
Impeller material: plastic UL 94 VO  
Weight: 588 g

### Available with:

- speed sensor
- alarm



Part number	Nominal voltage	Airflow	Noise level	Nominal speed	Input power	Voltage range	Bearing system		Connection type		Operating temperature	
	V	l/s	dB(A)	RPM	W	V	Ball	Sleeve	Leads	Terminals	Min. °C	Max. °C
599DL1LP11000	12	23,2	51,5	1800	9,6	(7-13,2)V	X		X		- 10	60
599DL2LP11000	24	23,2	51,5	1800	9,6	(14-26,4)V	X		X		- 10	60
599DL4LP11000	48	23,2	51,5	1800	10,6	(28-56)V	X		X		- 10	60
599DM1LP11000	12	25,7	54,5	2000	13,2	(7-13,2)V	X		X		- 10	60
599DM2LP11000	24	25,7	54,5	2000	13,4	(14-26,4)V	X		X		- 10	60
599DM4LP11000	48	25,7	54,5	2000	13,4	(28-56)V	X		X		- 10	60
599DH1LP11000	12	29,2	56,5	2200	17,2	(7-13,2)V	X		X		- 10	60
599DH2LP11000	24	29,2	56,5	2200	17,8	(14-26,4)V	X		X		- 10	60

**Accessories:**  
See page: 162