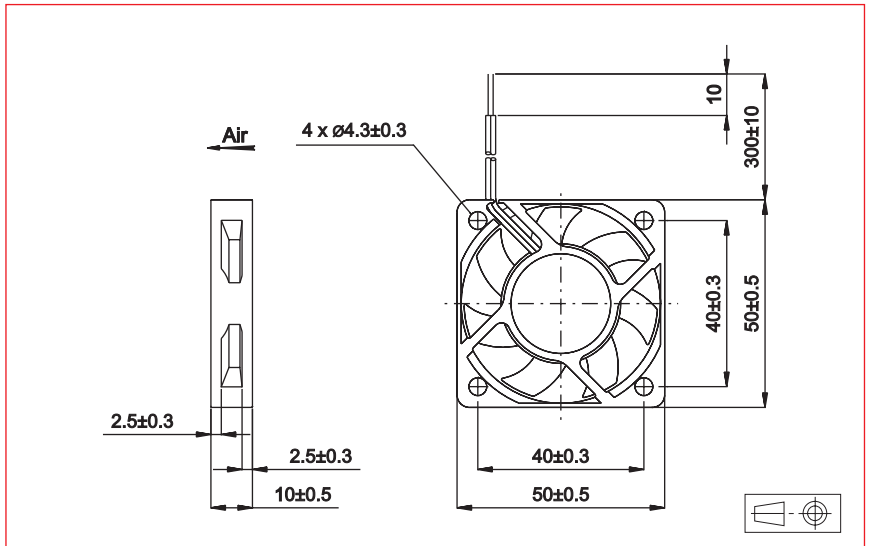


DC Axial Fans



Approvals



Life expectancy

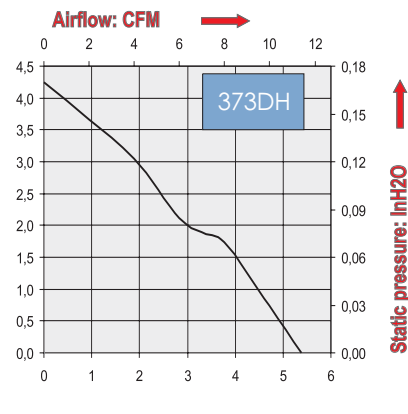
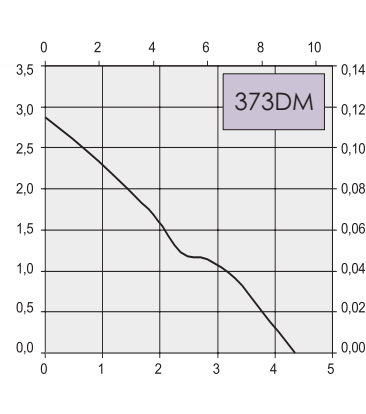
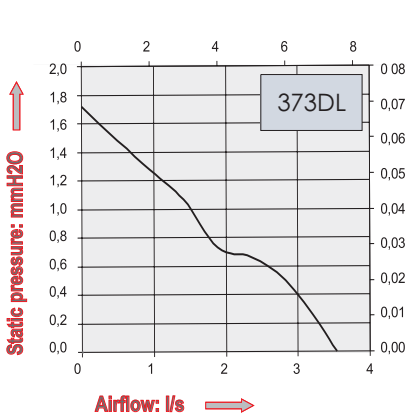
L-10 LIFE AT 40°C:
80 000 hours

Brushless DC Motor

Electrical protection: impedance protected
Housing material: plastic UL 94 VO
Impeller material: plastic UL 94 VO
Weight: 25 g
Bearing system: ball bearings

Available with:

- Speed sensor
- Open collector alarm
- IP54 / IP55



Part Number	Nominal voltage	Airflow	Noise level	Nominal speed	Input Power	Voltage range	Connection type		Operating temperature	
	V	l/s	dB(A)	RPM	W	V	Leads	Terminals	Min.°C	Max.°C
373DL1LP11000	12	3,5	18	3500	0,6	(9-13,8)	X		-10	70
373DM1LP11000	12	4,4	24	4500	1,0	(9-13,8)	X		-10	70
373DH1LP11000	12	5,4	30	5500	1,2	(9-13,8)	X		-10	70

Accessories:
Refer to Accessories leaflet

