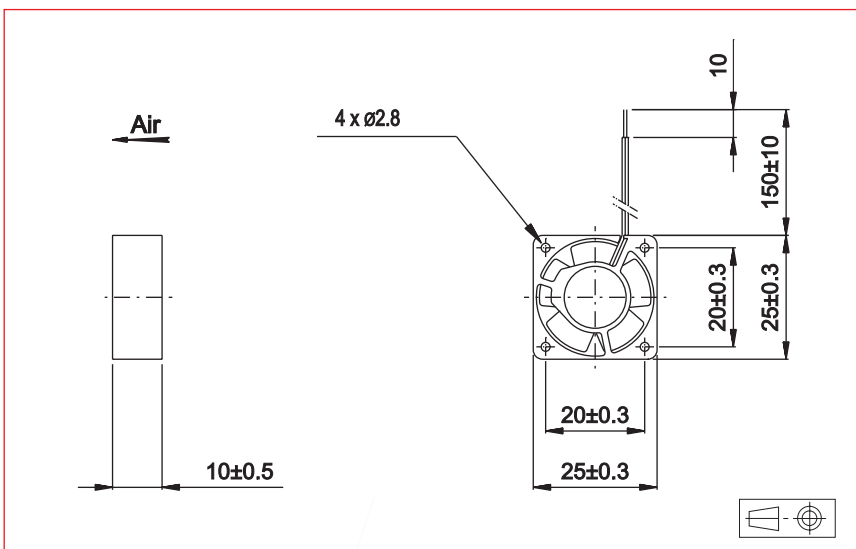


DC Axial Fans



Approvals



Life expectancy

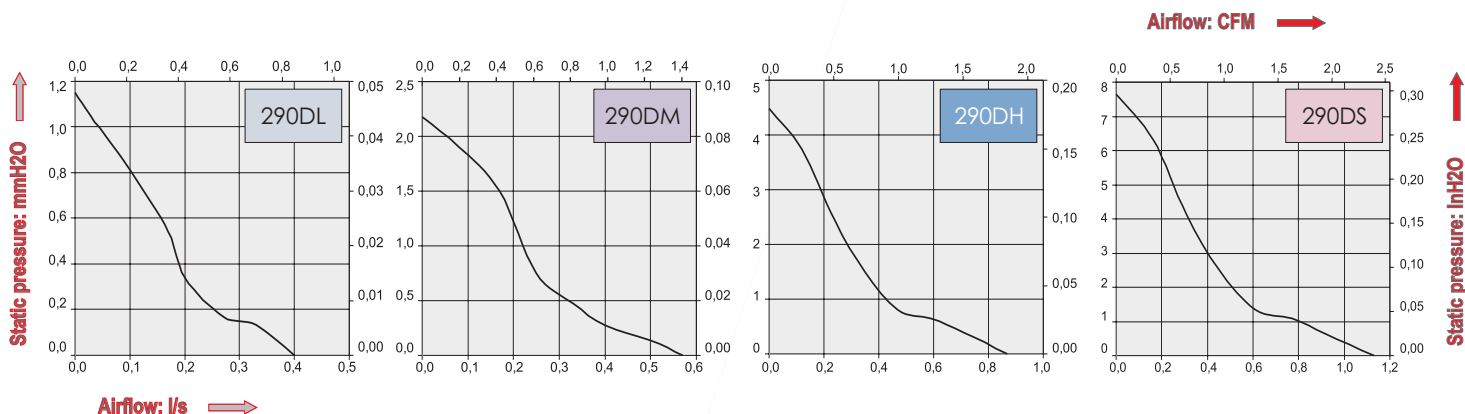
L-10 LIFE AT 40°C:
30 000 hours

Brushless DC Motor

Electrical protection: impedance protected
Housing material: plastic UL 94 VO
Impeller material: plastic UL 94 VO
Weight: 10,5 g
Bearing system: ball bearings

Available with:

- Speed sensor
- Alarm
- IP54 / IP55



Part Number	Nominal voltage	Airflow	Noise level	Nominal speed	Input Power	Voltage range	Connection type		Operating temperature	
	V						l/s	dB(A)	RPM	W
290DL5LP11000	5	0,4	18	5000	0,20	(4-6)	X		-10	70
290DL1LP11000	12	0,4	18	5000	0,36	(7-13,2)	X		-10	70
290DM5LP11000	5	0,6	20	7000	0,30	(4-6)	X		-10	70
290DM1LP11000	12	0,6	20	7000	0,48	(7-13,2)	X		-10	70
290DH5LP11000	5	0,9	23,5	10000	0,60	(4-6)	X		-10	70
290DH1LP11000	12	0,9	23,5	10000	0,72	(7-13,2)	X		-10	70
290DS5LP11000	5	1,1	28	13000	0,80	(4-6)	X		-10	70
290DS1LP11000	12	1,1	28	13000	0,96	(7-13,2)	X		-10	70

Additional versions:

Series 215: 25 x 25 x 15 mm, 5V,
available with speed sensor: consult factory