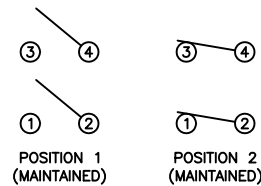


**SCHEMATIC**



**SPECIFICATIONS**

**FUNCTION:**  
2P1T OFF-ON with Actuator Lock

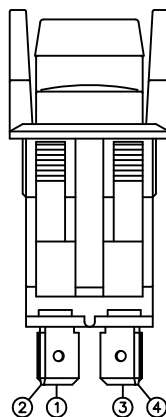
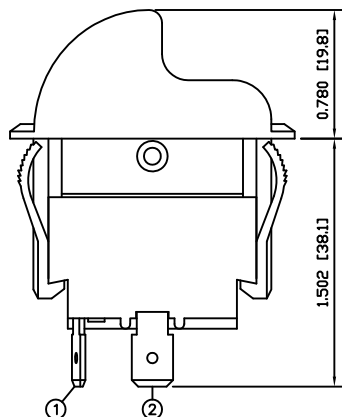
**RATINGS:**  
ANSI/UL 1054 and CAN/CSA C22.2 No. 55 (E194579):  
20A 125VAC [cURus]  
12A 250VAC [cURus]

**ELECTRICAL LIFE:**  
6,000 Cycles [cURus]

**TEMPERATURE:**  
Operating: -20°C to 65°C [cURus]



POSITION 1      POSITION 2



**MATERIALS**

**UPPER BODY:**  
Polyamide 6/6 (PA66)

**LOWER BODY:**  
Phenolic

**ACTUATOR:**  
Polyamide 6/6 (PA66)

**ACTUATOR LOCK:**  
Polyamide 6/6 (PA66)

**CONTACTS:**  
Silver Plated Copper

**TERMINALS:**  
Brass

**COLORS AND MARKINGS**

**UPPER BODY:**  
Black

**LOWER BODY:**  
Black

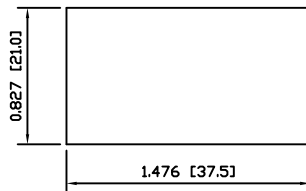
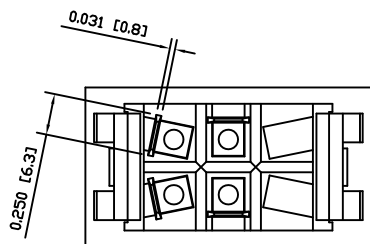
**ACTUATOR:**  
Red

**ACTUATOR LOCK:**  
Yellow

**MARKINGS:**  
ON/OFF

**MARKING COLOR:**  
White

**SUGGESTED PANEL CUTOUT**



HY7-42D-196

THE INFORMATION CONTAINED IN THIS DOCUMENT IS PROPRIETARY TO E-SWITCH AND IS NOT TO BE COPIED OR TRANSFERRED

A	INITIAL RELEASE	PCRD019S	09/11/05	CAB
REV.	DESCRIPTION	PCR	DATE	DRAWN BY

DIMENSIONS		DRAWING NUMBER		DATE		REVISION	
INCHES [MILLIMETERS]		34-HY742D196		NOVEMBER 05, 2009		A	
GENERAL TOLERANCES		SCALE		PROJECTION			
±0.008 [±0.2] / ±1'		DRAWING NOT TO SCALE		FIRST ANGLE			