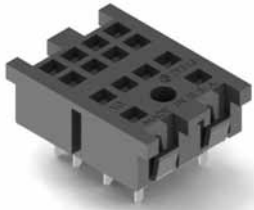


Relay Sockets

MR Series



- Description** 8 and 14 Pin Miniature Sockets
- Electrical Rating** • 300 Volts, 10 Amps
- Construction** **Contacts** • Brass, Bright Tin Plated
Molding • Break Resistant Thermoplastic
- Agency Approvals** • UL recognized, File No. E60008
• CSA certified, File No. LR29513
• CE
• ROHS

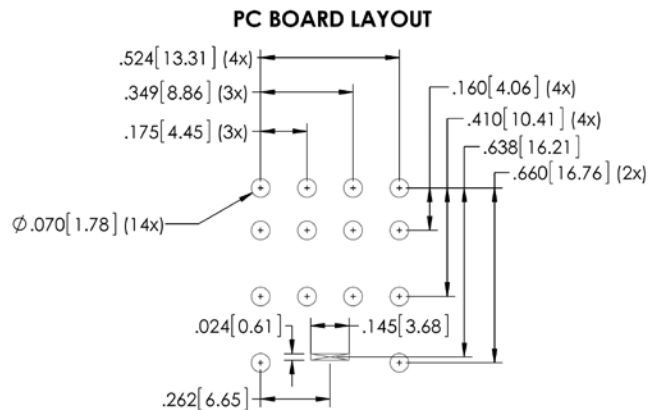
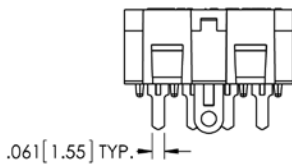
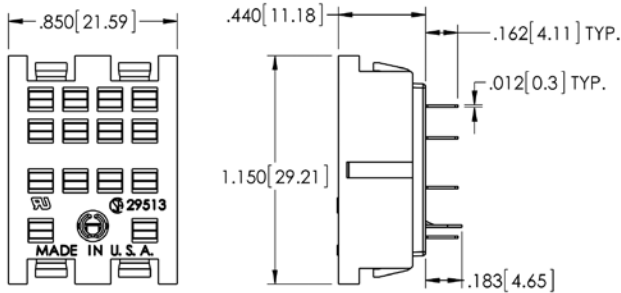


MR Series Ordering Code


Part #	Description	Terminal Type
MR08-PCB	DPDT, 8 Pin Miniature	PC Board
MR08-PCB-1G	DPDT, 8 Pin Miniature	PC Board, Ground Lug Omitted
MR14-PCB	4PDT, 14 Pin Miniature	PC Board
MR14-PCB-1G	4PDT, 14 Pin Miniature	PC Board, Ground Lug Omitted

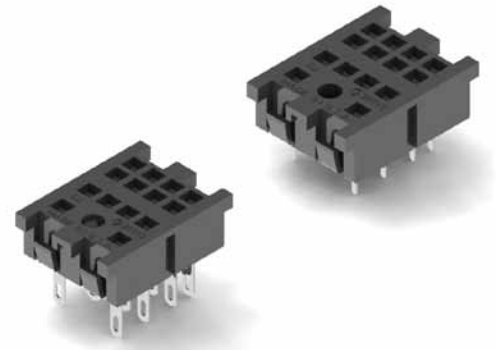
Accessories

Part #	Description
(Refer to the accessories pages 24-31)	
HDB-4	Hold Down Spring
HDB-9	Hold Down Spring



MR Series Relay Sockets

- Description** 8 and 14 Pin Miniature Sockets
- Electrical Rating** • 300 Volts, 10 Amps
- Construction** **Contacts** • Brass, Bright Tin Plated
Molding • Break Resistant Thermoplastic
- Agency Approvals** • UL recognized, File No. E60008
• CSA certified, File No. LR29513
• CE (*) 
• ROHS 



MR Series Ordering Code

Part #	Description	Terminal Type
MR08-PCB-1G N	DPDT, 8 Pin Miniature (Fig.1)	PC Board
MR08-SLD (*)	DPDT, 8 Pin Miniature (Fig. 2)	Solder
MR08-SLD-1G (*)	DPDT, 8 Pin Miniature (Fig. 2)	Solder, Ground Lug Omitted
MR14-PCB-1G N	4PDT, 14 Pin Miniature (Fig. 1)	PC Board
MR14-SLD (*)	4PDT, 14 Pin Miniature (Fig. 2)	Solder
MR14-SLD-1G (*)	4PDT, 14 Pin Miniature (Fig. 2)	Solder, Ground Lug Omitted

Accessories

Part #	Description
(Refer to the accessories pages 24-31)	
HDB-4	Hold Down Spring
HDB-9	Hold Down Spring

