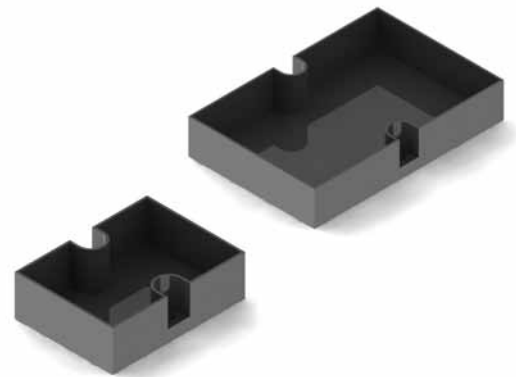
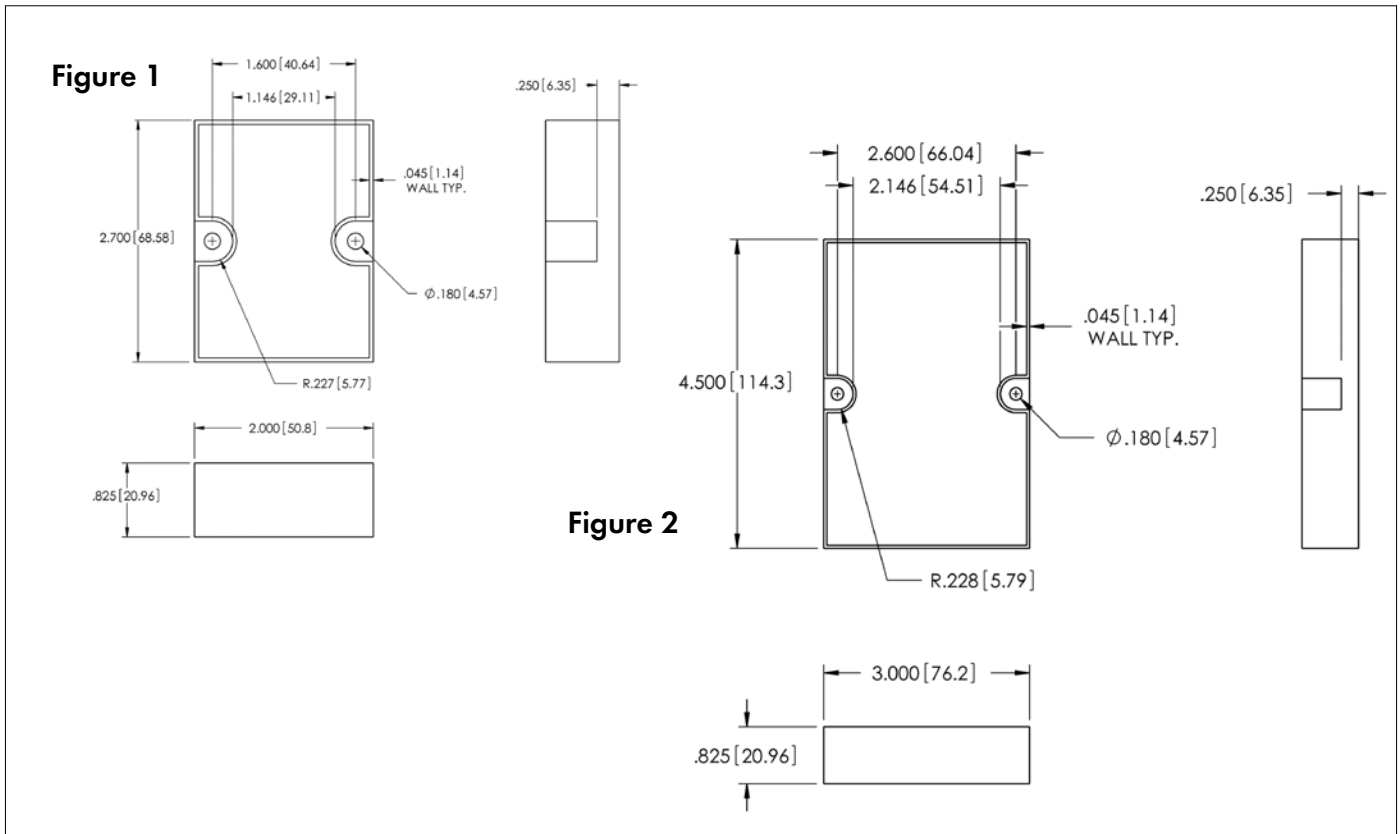


- Description** Enclosures
- Construction**
- Break Resistant Thermoplastic
  - Black Standard, other colors available, consult factory
- Agency Approvals**
- UL recognized, File No. E60008
  - CSA certified, File No. LR29513
  - ROHS

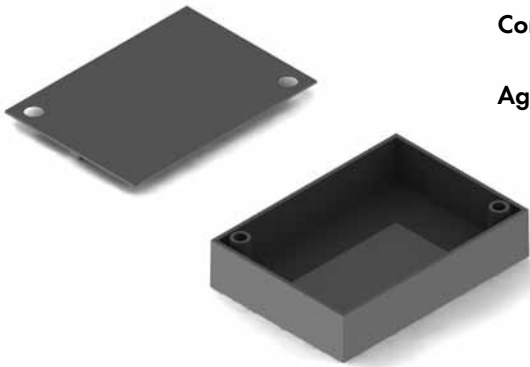


**E2 Series Ordering Code**

Part #	Description
E2BV2720	Enclosure (Fig. 1)
E2BV4530	Enclosure (Fig. 2)



# E2 Series



**Description**  
**Construction**

Enclosures/Covers

- Break Resistant Thermoplastic
- Black Standard, other colors available, consult factory

**Agency Approvals**

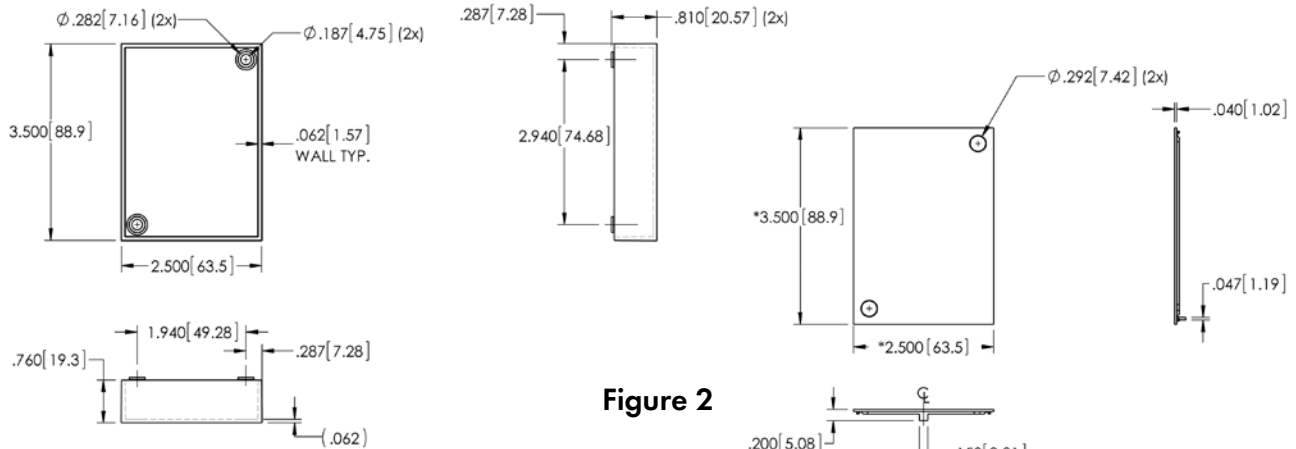
- UL recognized, File No. E60008
- CSA certified, File No. LR29513
- ROHS



## E2 Series Ordering Code

Part #	Description
E2BV3525	Enclosure (Fig. 1)
C2BV3525	Cover (Fig. 2) Consult Factory for molded in cover modifications

**Figure 1**



**Figure 2**

