

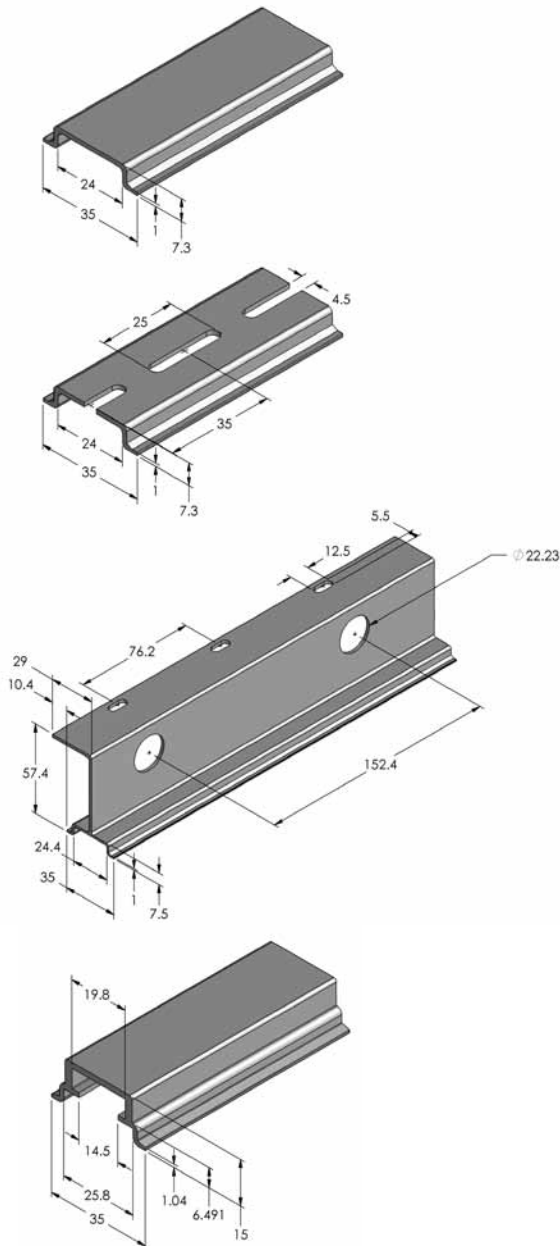
**Description**

Aluminum DIN Rails

**Construction**

Extrusion Grade Aluminum

**Agency Approvals** • ROHS



Part #	Description
C-103-M	Unpunched 1 Meter

Part #	Description
C-103-PM	Prepunched 1 Meter

Part #	Description
C-108-PM	Prepunched Raised 1 Meter
C-108-2PM	Prepunched Raised 2 Meter

Part #	Description
C-112-2M	Unpunched 2 Meter

Rails may be supplied precut in standard lengths or to customer specifications. Please consult factory.

## Description

Steel DIN Rails

## Construction

Roll Formed Steel, Galvanic Zinc Plating and Passivation  
(Stainless Steel for C-106-2SPM)

**Agency Approvals**

- European Standard EN 60715
- ROHS

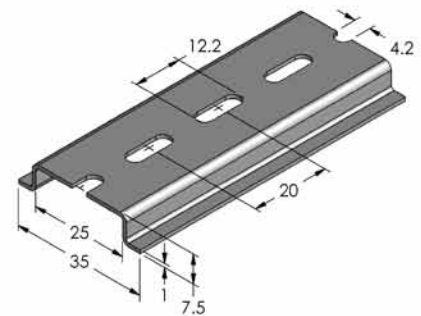
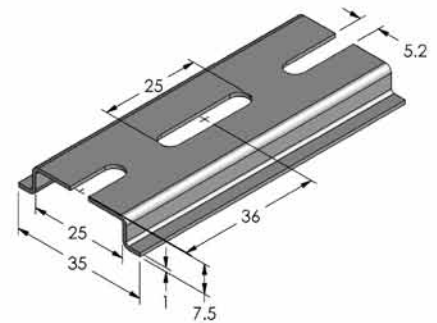
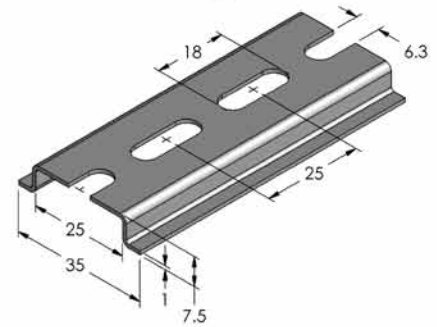
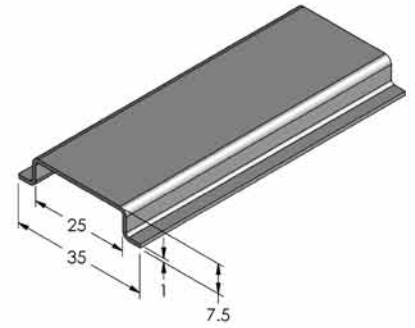
Part #	Description
C-106-2M	Unpunched 2 Meter

Part #	Description
C-106-PM	Prepunched 1 Meter
C-106-2PM	Prepunched 2 Meter
C106-2SPM	Prepunched Stainless 2 Meter

Part #	Description
C-106-2PM-B	Prepunched 2 Meter

Part #	Description
C-106-2PM-C	Prepunched 2 Meter

Rails may be supplied precut in standard lengths or to customer specifications.  
Please consult factory.



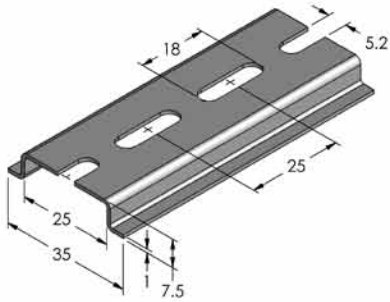
**Description**

Steel DIN Rails

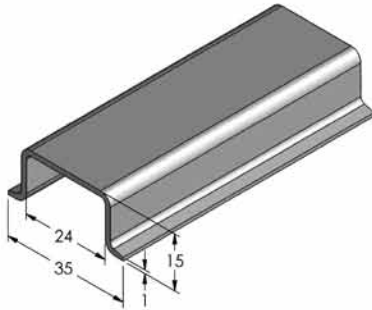
**Construction**

Roll Formed Steel, Galvanic Zinc Plating and Passivation

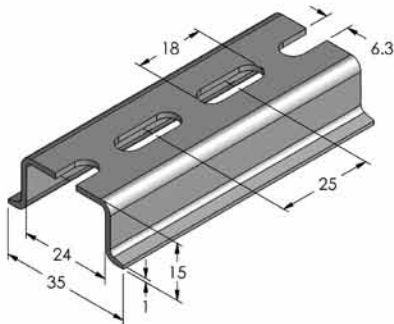
**Agency Approvals** • European Standard EN 60715  
• ROHS



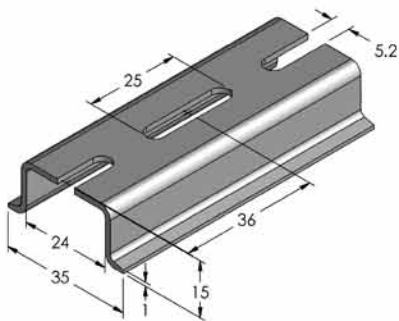
Part #	Description
C-104-PM	Prepunched 1 Meter



Part #	Description
C-105-2M	Unpunched 2 Meter



Part #	Description
C-105-PM	Prepunched 1 Meter
C-105-2PM	Prepunched 2 Meter



Part #	Description
C-105-2PM-B	Prepunched 2 Meter

Rails may be supplied precut in standard lengths or to customer specifications. Please consult factory.

## Description

Steel DIN Rails

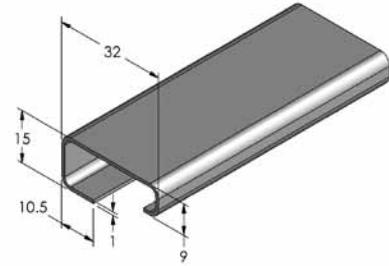
## Construction

Roll Formed Steel, Galvanic Zinc Plating and Passivation

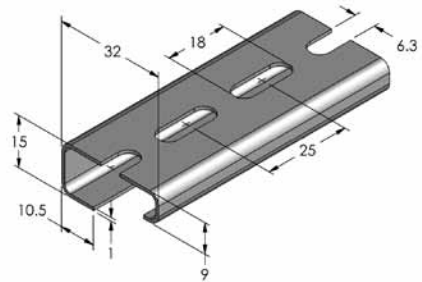
**Agency Approvals**

- European Standard EN 60715
- ROHS

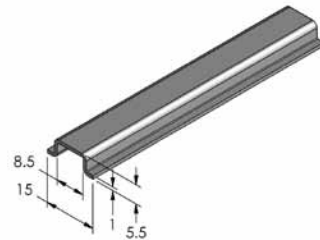
Part #	Description
C-109-2M	Unpunched 2 Meter



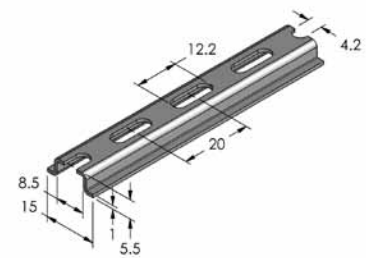
Part #	Description
C-109-2PM	Prepunched 2 Meter



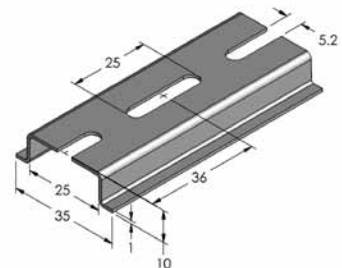
Part #	Description
C-110-2M	Unpunched 2 Meter



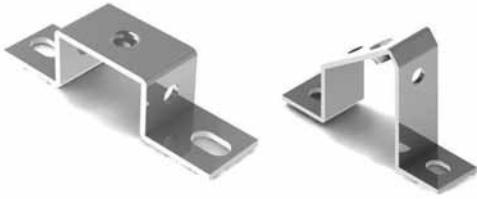
Part #	Description
C-110-2PM	Prepunched 2 Meter



Part #	Description
C-111-2PM-B	Prepunched 2 Meter



Rails may be supplied precut in standard lengths or to customer specifications. Please consult factory.



**Description**

DIN Rail Support Brackets

**Construction**

Steel, Galvanic Zinc Plating and Passivation

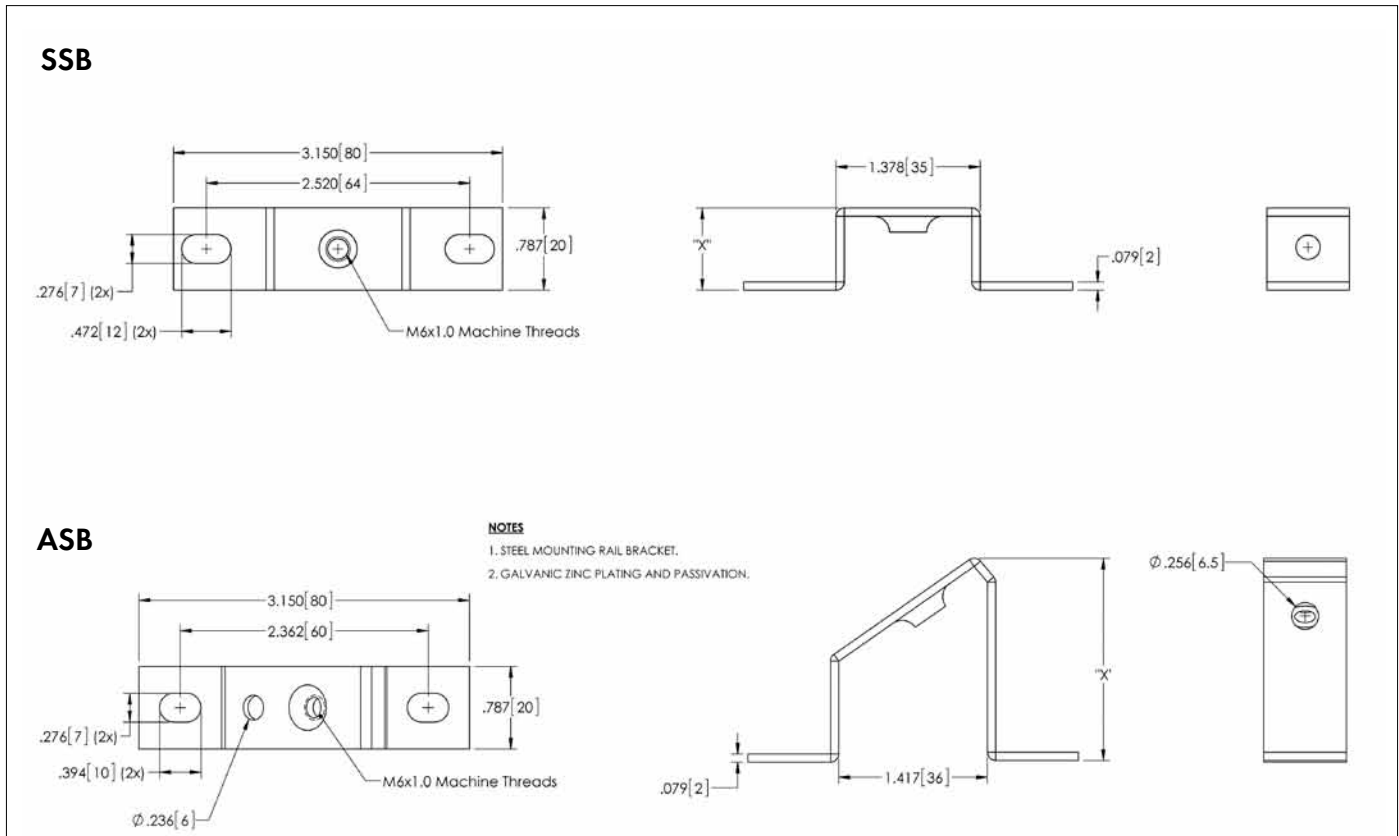
**Agency Approvals** • ROHS

**SSB DIN Rail Support Brackets Ordering Code**

Part #	Dimensions X in. (mm)
SSB20-M6	.787 (20.00)
SSB25-M6	.984 (25.00)
SSB30-M6	1.181 (30.00)
SSB40-M6	1.575 (40.00)
SSB50-M6	1.969 (50.00)
SSB70-M6	2.756 (70.00)
SSB90-M6	3.543 (90.00)

**ASB DIN Rail Support Brackets Ordering Code**

Part #	Dimensions X in. (mm)
ASB49-M6	1.929 (49.00)
ASB58-M6	2.283 ( 58.00)
ASB68-M6	2.677 (68.00)
ASB78-M6	3.071 ( 78.00)
ASB88-M6	3.465 (88.00)
ASB98-M6	3.858 (98.00)



# Hold Down Springs DIN Rails & Accessories

## Description

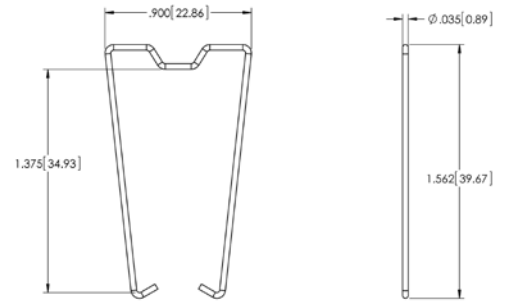
Relay Hold Down Springs

## Construction

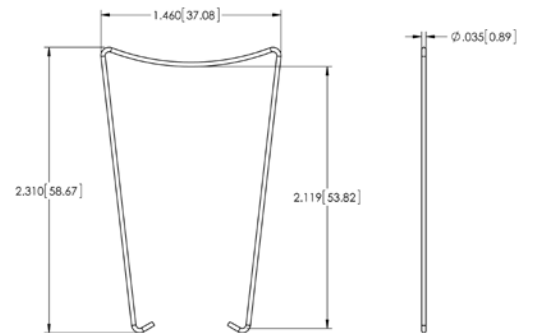
Stainless Steel

Agency Approvals • ROHS

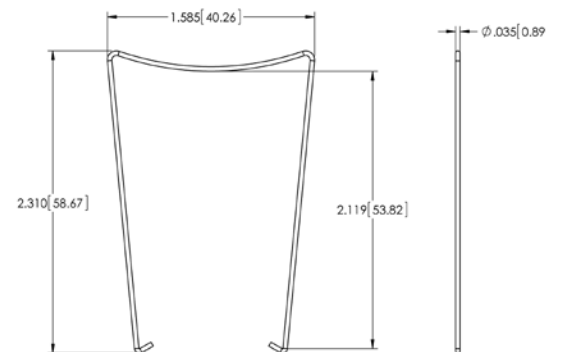
Part #	Description
HDB-4	For GR, GT, MR and MT Series Relay Sockets



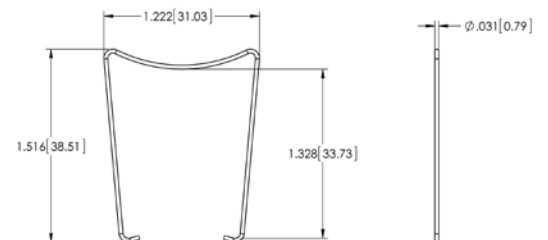
Part #	Description
HDB-5	For CM Series Relay Sockets



Part #	Description
HDB-8	For SS and ST Series Relay Sockets



Part #	Description
HDB-9	For GR108-PCB, GR108-SLD and MR Series Relay Sockets



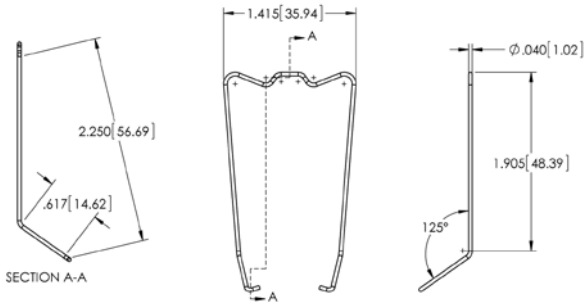
### Description

Relay Hold Down Springs, DIN Rail Mounting Clamps

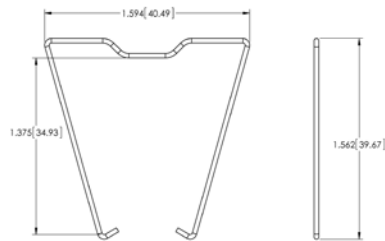
### Construction

Hold Down Springs - Stainless Steel, DIN rail mounting Clamps - Nickel Plated Steel

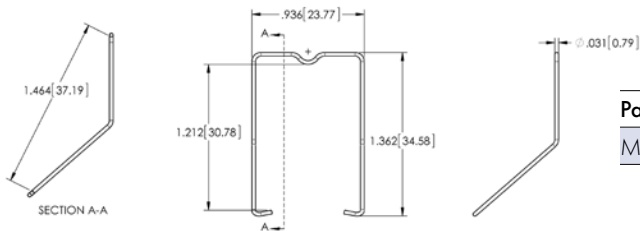
### Agency Approvals • ROHS



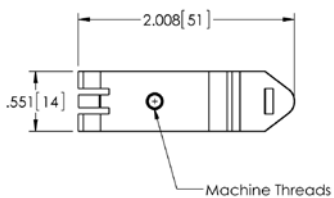
Part #	Description
HDB-13	For ES8 and ES11



Part #	Description
HDB-19	For GT14-PC



Part #	Description
MHO	For ES15/4B, 4S, ES15/2N, 3N, 4N



Part #	Description
RMC-M4	DIN rail mounting clamp - allows non DIN mount devices to be installed on 35mm DIN rails. M4 threaded hole.



Part #	Description
RMC-M5	DIN rail mounting clamp - allows non DIN mount devices to be installed on 35mm DIN rails. M5 threaded hole.

## Description

Relay hold down springs/ejectors

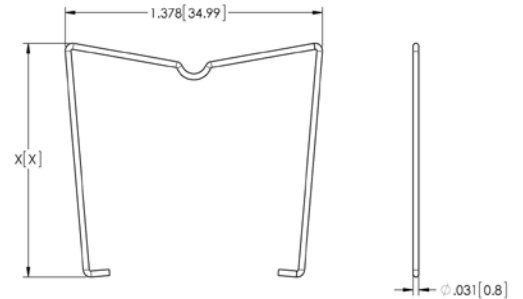
## Construction

MH series stainless steel

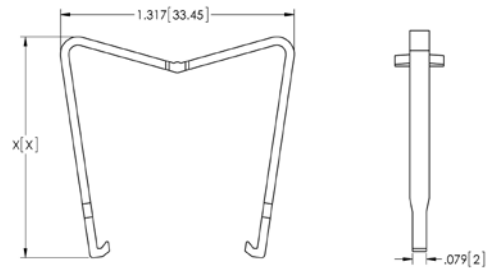
MP, MS series break resistant thermoplastic

Agency Approvals • ROHS

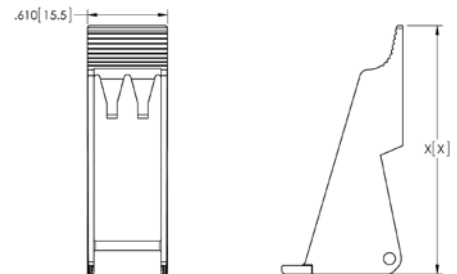
Part #	Description	Dimensions X in. (mm)
MH12-2	For EC series, 12mm high relays	.742 (18.85)
MH16-2	For EC series, 16mm high relays	.852 (21.66)
MH25-2	For EC series, 25mm high relays	1.247 (31.66)



Part #	Description	Dimensions X in. (mm)
MP12-2	For EC series, 12mm high relays	.787 (19.99)
MP16-2	For EC series, 16mm high relays	.897 (22.79)
MP-25-2	For EC series, 25mm high relays	1.245 (31.63)



Part #	Description	Dimensions X in. (mm)
MS12	For ES35, ES50, ES50/3, 12mm high relays	1.381 (35.08)
MS16	For ES35, ES50, ES50/3, 16mm high relays	1.525 (38.74)
MS25	For ES35, ES50, ES50/3, 25mm high relays	1.89 (48)



Part #	Description	Dimensions X in. (mm)
MS35	For ES15/2N, 3N, ES15/4B, 4N, 4S	2.323 (59)

