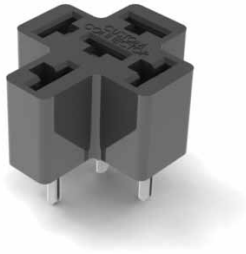


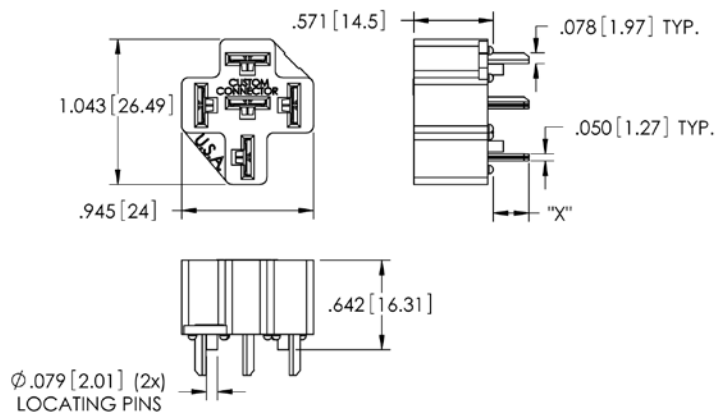
## BR Series

- Description** Mini ISO Automotive Relay Sockets
- Construction**
- Contacts** • Brass, Bright Tin Plated
  - Molding** • Heat Stabilized Thermoplastic, 140 degrees C Continuous Use Temperature Rating
- Agency Approvals** • ROHS



### BR Series Ordering Code

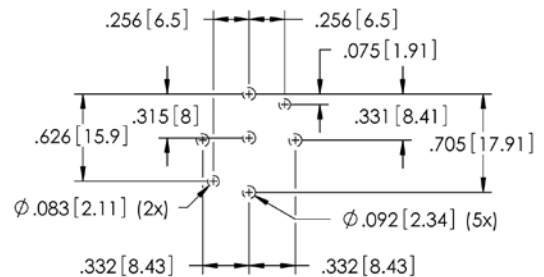
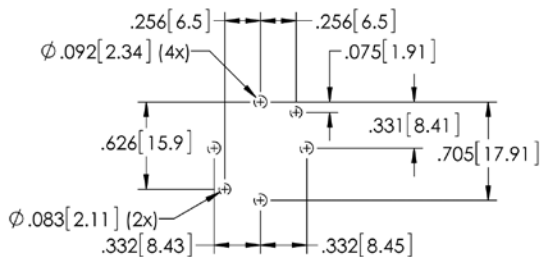
| Part #       | Description                                 | Terminal Type |
|--------------|---|---------------|
| BRO4-PCB-0   | 4 Pin Socket (Fig. 1)                       | PC Board      |
| BRO4-SPCB    | 4 Pin Socket (Fig. 1)                       | PC Board      |
| BRO5-PCB     | 5 Pin Socket (Fig. 2)                       | PC Board      |
| BRO5-PCB-1P  | 5 Pin Socket without locating Pins (Fig. 2) | PC Board      |
| BRO5-SPCB    | 5 Pin Socket (Fig. 2)                       | PC Board      |
| BRO5-SPCB-1P | 5 Pin Socket without locating Pins (Fig. 2) | PC Board      |



**BR Series Note:**  
 SPCB models X = .149" (3.78)  
 PCB models X + .234" (5.94)

Figure 1

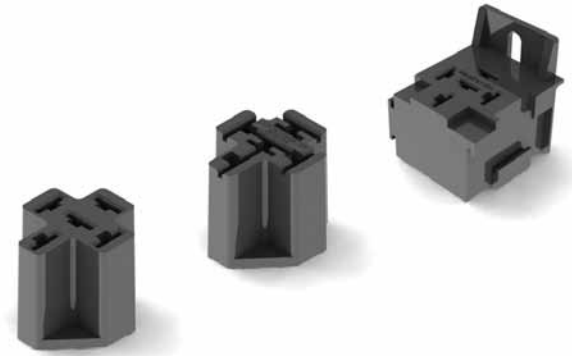
Figure 2



# BR Series

# Automotive Relay Sockets & Connectors

- Description** Mini ISO Automotive Relay Sockets
- Construction** *Molding* • Heat Stabilized Thermoplastic, 140 degrees C Continuous Use Temperature Rating
- Agency Approvals** • ROHS



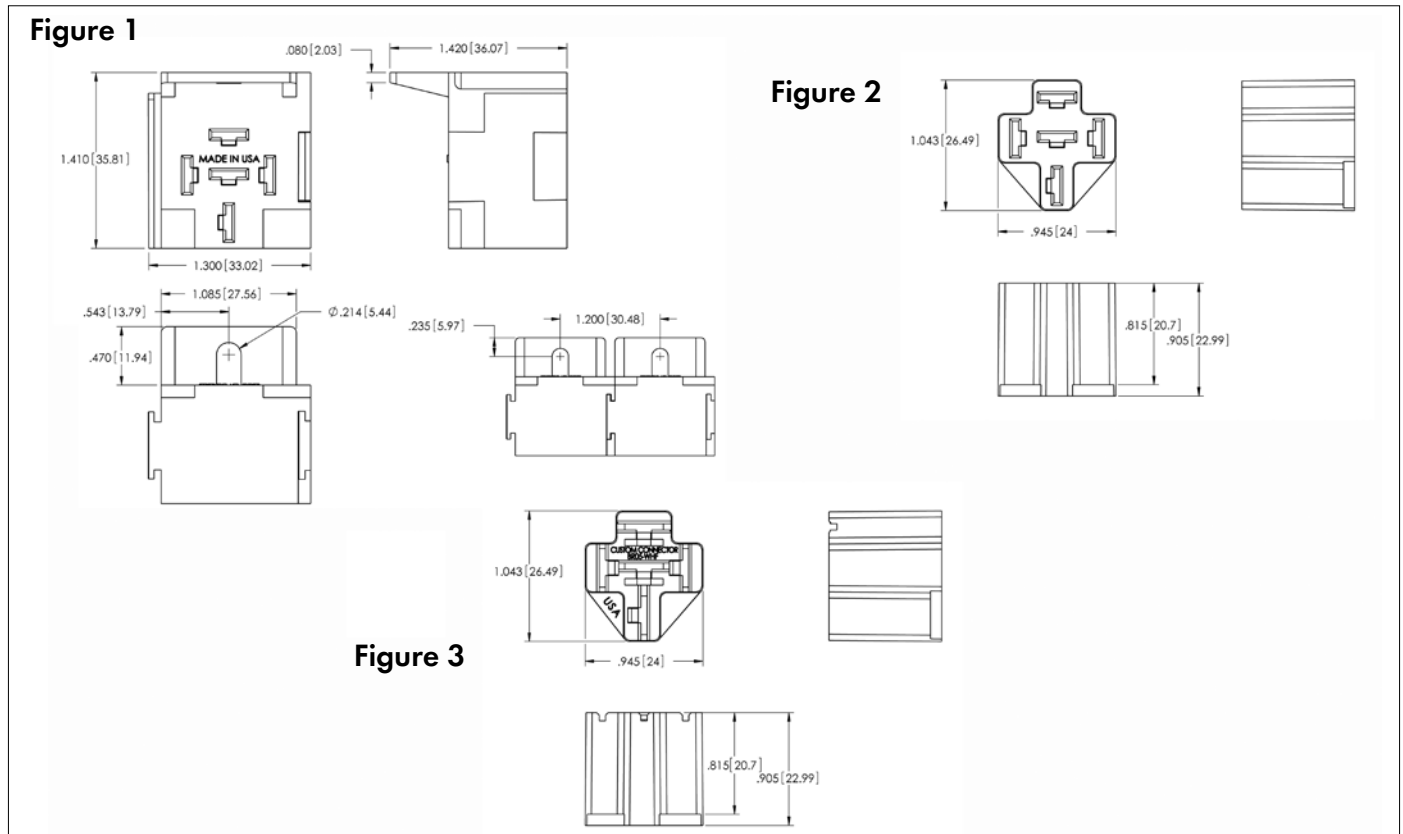
## BR Series Ordering Code

| Part #   | Description  | Terminal Type |
|----------|--|---------------|
| BR05-FW  | 5 Pin connector with mounting bracket for wire harnessing (Fig. 1)                         | Crimp         |
| BR05-WH  | 5 Pin connector without mounting bracket for wire harnessing (Fig. 2)                      | Crimp         |
| BR05-WHF | 5 Pin connector for relay or flasher without mounting bracket for wire harnessing (Fig. 3) | Crimp         |

## Terminal Compatibility Chart

Custom Connector Corporation recommends the following terminals to be used in conjunction with our BR Series relay socket series. All Parts listed below need to be purchased separately.

| Order From      | Part # | AWG   | Blade |
|-----------------|--------|-------|-------|
| TE Connectivity | 42100  | 14-18 | 1/4"  |
| TE Connectivity | 42281  | 14-18 | 1/4"  |
| TE Connectivity | 42904  | 12-16 | 1/4"  |
| TE Connectivity | 60249  | 12-16 | 1/4"  |
| TE Connectivity | 60253  | 12-14 | 1/4"  |



## BR Series



- Description** Mini ISO Weatherproof Automotive Relay Sockets
- Construction**
- Molding** • Heat Stabilized Thermoplastic, 140 degrees C Continuous Use Temperature Rating
  - Gasket** • High Temperature Silicone Rubber
  - Wire Seals** • High Temperature Silicone Rubber
- Agency Approvals**
- ROHS
  - IP67
- Testing Passed**
- **Dust Exposure** SAE J1455 Sect. 4.7, IEC 60529 Sect. 13.4 & 13.6
  - **Salt Spray** ASTM B117-07
  - **Water Immersion** IEC 60529 Sect. 14.2.7
  - **Fluids Compatibility** SAE J1455 Sect. 4.7, Engine Oil, Brake Fluid, Washer Solvent, Gasoline, Diesel Fuel

### BR Series Ordering Code

| Part #    | Description   | Terminal Type |
|-----------|---|---------------|
| BR05-WP   | 5 Pin weatherproof connector for wire harnessing        | Crimp         |
| 312X06-LO | Orange Wire Seal for 18 ga Wire                         |               |
| 312X09-L  | Grey Wire Seal for 14-16 ga Wire                        |               |
| 312X13-LY | Yellow Wire Seal for 12 ga Wire                         |               |
| 312XP     | Grey Plug for use in 1 Form A Open Circuit Applications |               |

### Terminal Compatibility Chart

Custom Connector Corporation recommends the following terminals to be used in conjunction with our BR Series relay socket series. All Parts listed below need to be purchased separately.

| Order From      | Part # | AWG      | Blade |
|-----------------|--------|----------|-------|
| TE Connectivity | 60253  | 12-16 ga | 1/4"  |
| TE Connectivity | 42100  | 14-18 ga | 1/4"  |

Technical drawings showing dimensions for the BR Series connector:

- Top view: 1.400 [35.56] (width), 1.400 [35.56] (height)
- Side view: 1.180 [29.97] (total height), .400 [10.16] (terminal height)
- Terminal diameter:  $\phi .330$
- Terminal pitch:  $\phi .7$

| Part Number | "X"   | "Y"   | "Z"   | Color  |
|-------------|-------|-------|-------|--------|
| 312x06-LO   | 0.060 | 0.150 | 0.429 | Orange |
| 312x09-L    | 0.090 | 0.190 | 0.396 | Grey   |
| 312x13-LY   | 0.130 | 0.230 | 0.376 | Yellow |
| 312xP       | N/A   | N/A   | 0.353 | Grey   |