

Series 37000

.375"(3/8") 9.52mm Center-to-Center Spacing

Current Rating: CSA & UL :15 - 20 amps

Voltage Rating: CSA – 300 volts

UL General Industrial: 150V

UL General Industrial Ltd: 300V

UL Commercial Appliances: 250V

Breakdown Voltage:

Terminal - Terminal 3,000 Typ.

Terminal - Ground 4,700 Typ.



37000 TRI BARRIER

UL® Recognized under the Components Program of Underwriters Laboratories, Inc. Standard 1059, Guide No. XCFR2, File No. E62557.

CSA® Guide No. 22.2 No. 158, Report No. LR39186-1.

No. of Terminals: 1 through 26 (28 positions on surface mount without mounting ends)

Wire Range: UL recognized for No. 22AWG to No. 12AWG.

Tightening Torque: 9 in.-lbs.

Housing:

Material Polypropylene

Continuous Use

Temp. (UL Index) 105° C (221° F)

Flammability Rating UL 94V-0

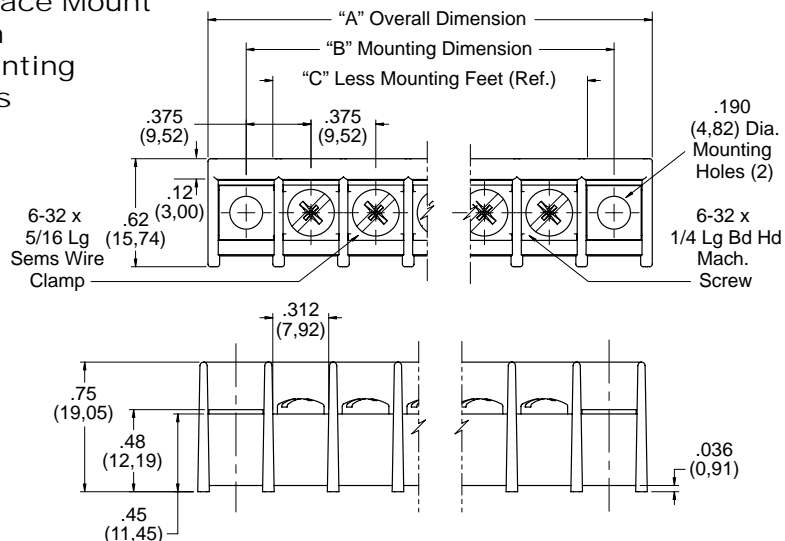
Terminals: Brass, Tin-plated

Features:

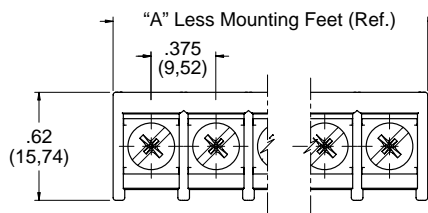
- Complete line of .375" centerline terminal block styles. Terminal blocks come in surface mount, PC mount, panel mount, and feed-thru styles with a wide variety of top and bottom terminations available.
- Contact design virtually eliminates solder joint fractures due to pin twist.
- Standoffs are molded into blocks to prevent trapping solder flux and to aid in the board cleaning process.
- Broad wire range. The 37000 Series terminal blocks will accommodate wire sizes up to 12AWG.
- Full line of accessories complements the 37000 Series terminal blocks, offering greater design flexibility.
- Series 37000 terminal blocks are made from self-extinguishing material rated 94V-0 by Underwriters Laboratories, Inc.
- Customized terminal blocks are available for special application by consulting any authorized Curtis distributor, Curtis representative, or by contacting Curtis sales directly.

Mechanical Drawing

Series 37000
Surface Mount
with
Mounting
Ends

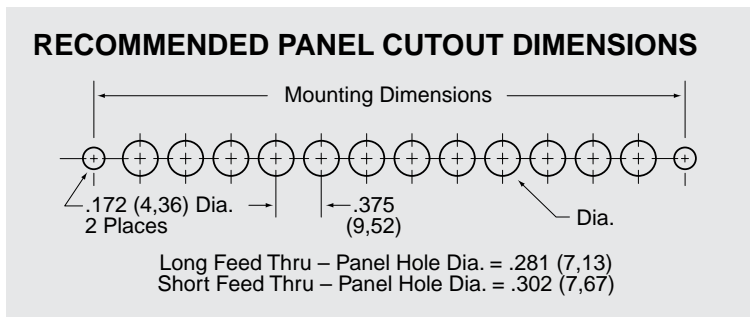
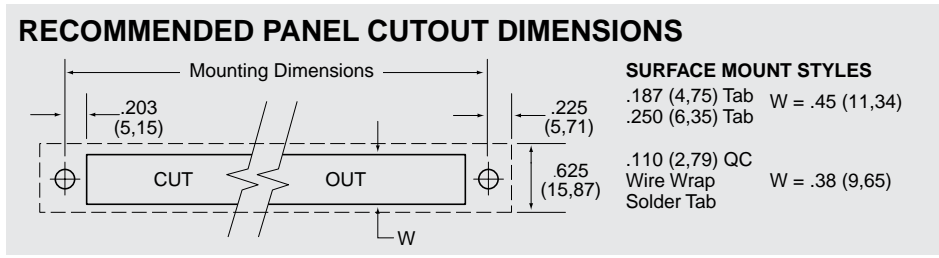
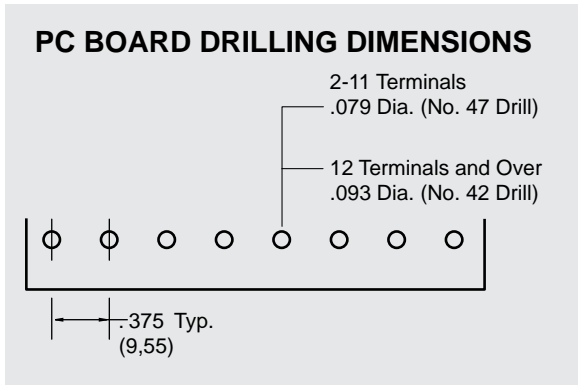


Series 37000 Surface Mount
without Mounting Ends



Series 37000 With Mounting Ends							Without Mounting Ends	
Number of Terminals	Dimensions							
	B ± .031 Mounting Dimensions (M.D.)		A ± .031 Overall Dimensions (O.D.)		C ± .031 Less Mounting Ends		A ± .031 Less Mounting Ends	
	Inches	Metric (mm)	Inches	Metric (mm)	Inches	Metric (mm)	Inches	Metric (mm)
1	.750	19.05	1.200	30.48	.450	11.43	—	—
2	1.125	28.58	1.575	40.01	.825	20.96	.825	20.96
3	1.500	38.1	1.950	49.53	1.200	30.48	1.200	30.48
4	1.875	47.63	2.325	59.06	1.575	40.01	1.575	40.01
5	2.250	57.15	2.700	68.58	1.950	49.53	1.950	49.53
6	2.625	66.68	3.075	78.11	2.325	59.06	2.325	59.06
7	3.000	76.2	3.450	87.63	2.700	68.58	2.700	68.58
8	3.375	85.73	3.825	97.16	3.075	78.11	3.075	78.11
9	3.750	95.25	4.200	106.68	3.450	87.63	3.450	87.63
10	4.125	104.78	4.575	116.21	3.825	97.16	3.825	97.16
11	4.500	114.3	4.950	125.73	4.200	106.68	4.200	106.68
12	4.875	123.83	5.325	135.26	4.575	116.21	4.575	116.21
13	5.250	133.35	5.700	144.78	4.950	125.73	4.950	125.73
14	5.625	142.88	6.075	154.31	5.325	135.26	5.325	135.26
15	6.000	152.4	6.450	163.83	5.700	144.78	5.700	144.78
16	6.375	161.93	6.825	173.36	6.075	154.30	6.075	154.31
17	6.750	171.45	7.200	182.88	6.450	163.83	6.450	163.83
18	7.125	180.98	7.575	192.41	6.825	173.36	6.825	173.36
19	7.500	190.5	7.950	201.93	7.200	182.88	7.200	182.88
20	7.875	200.03	8.325	211.48	7.575	192.40	7.575	192.41
21	8.250	209.55	8.700	220.98	7.950	201.93	7.950	201.93
22	8.625	219.08	9.075	230.51	8.325	211.46	8.325	211.46
23	9.000	228.6	9.450	240.03	8.700	220.98	8.700	220.98
24	9.375	238.13	9.825	249.56	9.075	230.50	9.075	230.51
25	9.750	247.65	10.200	259.08	9.450	240.03	9.450	240.03
26	10.125	257.18	10.575	268.61	9.825	249.56	9.825	249.56

Cutout Details



Part Numbers

How to Order

T37 X X X XX X

MOLDING DESIGN]

- 0 = Surface Mount w/ Mounting Ends
- 1 = Surface Mount w/o Mounting Ends

INSERT OR BOTTOM TERMINATION DESIGN]

- 0 = Surface Mount, No Bottom Termination
- 1 = Printed Circuit Pin
- 2 = Turret Type Solder Terminal
- 3 = Quick Connect .110"
- 4 = Quick Connect .187"
- 5 = Quick Connect .250"
- 6 = Wire Wrap Pin
- 7 = Right Angle Printed Circuit

[SPECIALS OR OPTIONAL DESIGNS

- 0 = None
- A-Z = Custom Configuration

[NUMBER OF POSITIONS

01 through 26

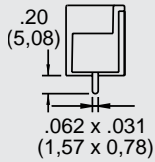
[HARDWARE OR TOP TERMINATION DESIGN

- 0 = Zinc Plated Steel Screw, Standard
- 1 = Wire Clamp Screws
- 2 = Nickel Plated Brass Screws
- 3 = Stainless Steel Screws
- 5 = Without Screws
- 6 = Quick Connects, Screw Type*
- 8 = Captivated Screw
- 9 = Nickel Plated Brass Sems Combo Screw

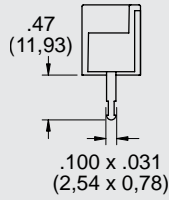
Variations

SERIES 37000 VARIATIONS

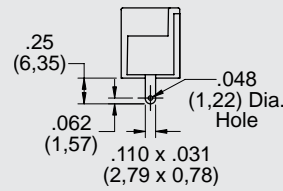
1 – Printed Circuit Pin



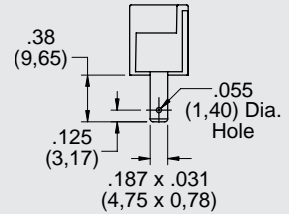
2 – Turret Type Solder Terminal



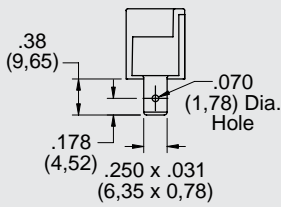
3 – .110" Quick Connect



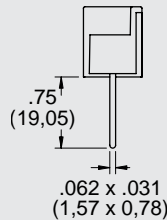
4 – .187" Quick Connect



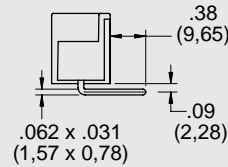
5 – .250" Quick Connect



6 – Wire Wrap/Printed Circuit Pin

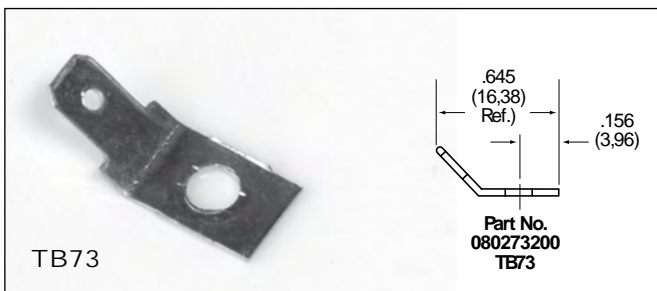
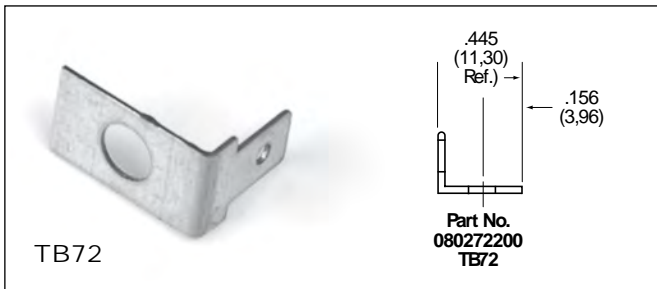
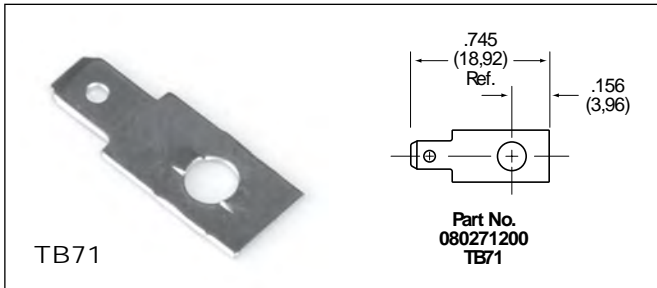


7 – Wire Wrap/Right Angle Printed Circuit Pin

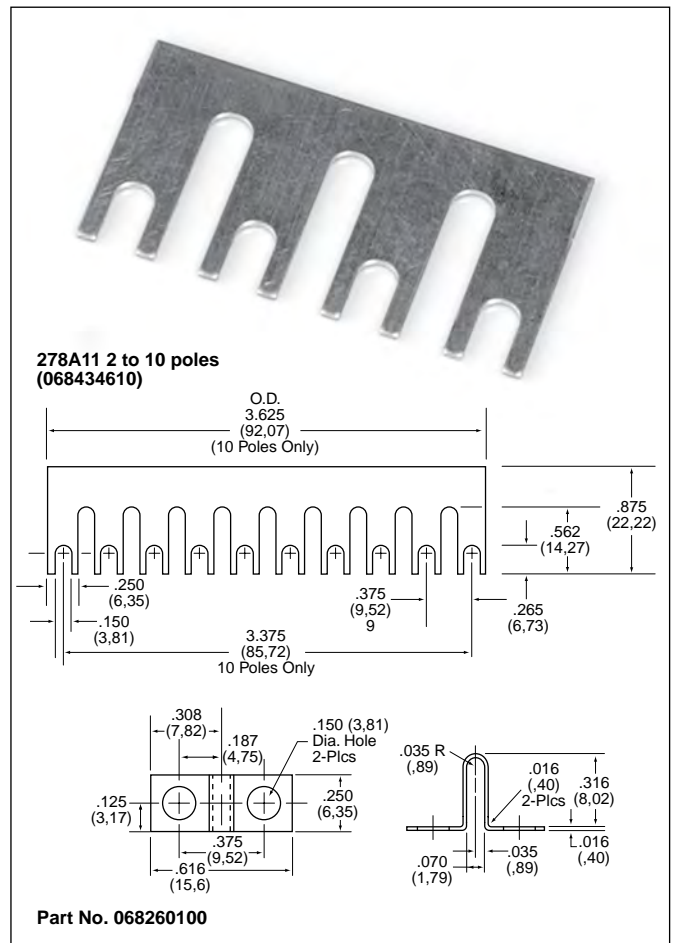


Dimensions shown are ± 0.030"

QUICK-CONNECT TERMINALS .020 X .187



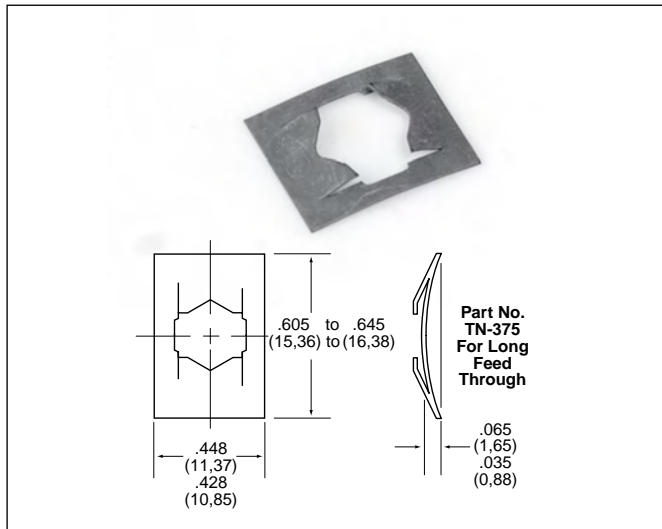
TERMINAL BLOCK JUMPERS



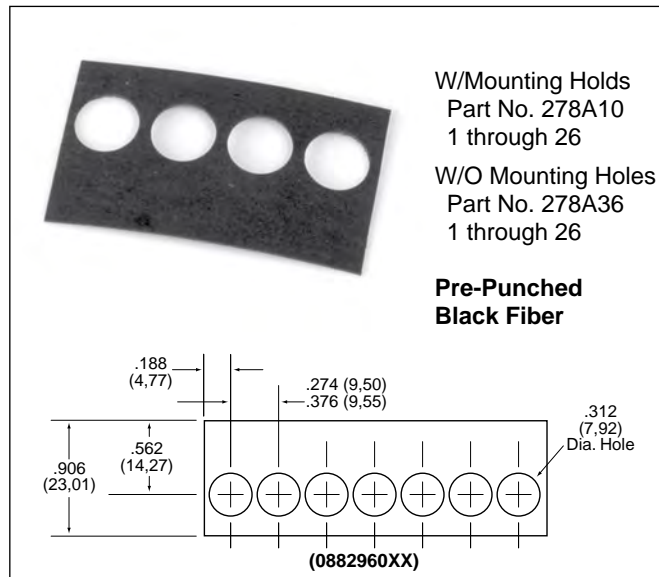
Accessories

Series 37000

TINNERMAN NUT (062570000)



MARKING STRIPS



COVERS & CLIPS

