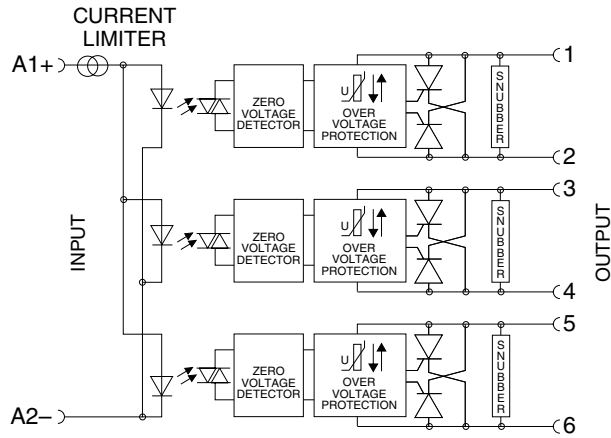


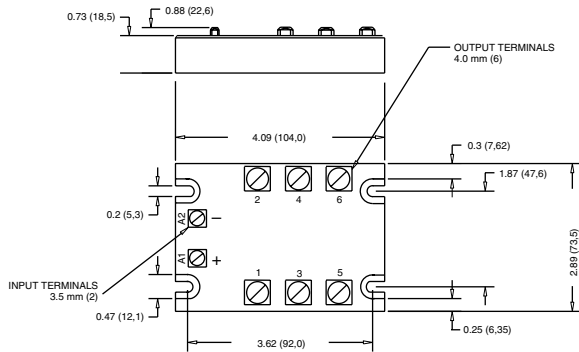
SOLID STATE RELAYS

THREE-PHASE SOLID STATE RELAYS

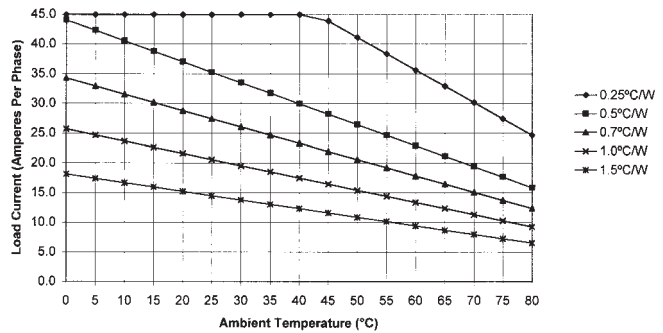
- 10, 25 and 45 Amps Output Per Channel Available
- 24 to 600 VAC Output Voltage Range Suitable for Many Applications
- 1200 Volts Peak Blocking Voltage Helps Protect Against Transients in Harsh Electrical Environments
- Internal RC Snubber Network
- 4000 VAC Optical Isolation
- 4 to 32 Control Voltage for a Wide Variety of Logic Circuit Applications
- Zero Voltage or Random Turn-on
- Industry Standard Package
- UL Recognized (E74183) 10 hp 480 VAC, CSA Certified (LR38545)
- CE Compliant



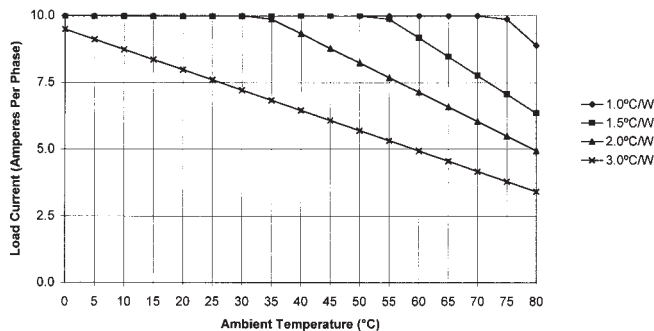
DIMENSIONS: INCHES (MILLIMETERS)
TOLERANCE: ±0.020 (±0.50)



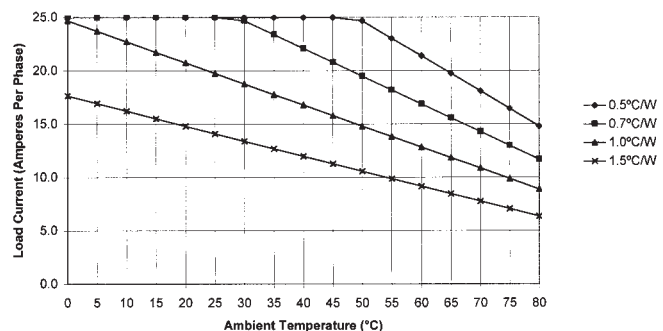
GA3 3 PHASE SSR DERATING CURVES:
45 AMP



GA3 3 PHASE SSR DERATING CURVES:
10 AMP



GA3 3 PHASE SSR DERATING CURVES:
25 AMP



Products and specifications subject to change without notice.
Consult factory for application assistance.

SOLID STATE RELAYS

THREE-PHASE SOLID STATE RELAYS

INPUT SPECIFICATIONS: (1)

Model Number	GA312D10R GA312D10Z GA312D25R	GA312D25Z GA312D45R GA312D45Z	GA312A25R GA312A25Z GA312A45R GA312A45Z
Parameter			
Voltage Range	4.0 to 32.0 VDC		90-280 VAC
Drop Out Voltage	1.0 VDC		10 VAC
Control Current (2)	20 mA		10 mA

OUTPUT SPECIFICATIONS: (1)

Model Number	GA312D10R GA312D10Z	GA312A25R GA312A25Z GA312D25R GA312D25Z	GA312A45R GA312A45Z GA312D45R GA312D45Z	Units
Parameter				
Line Voltage Range	24 to 660	24 to 660	24 to 660	VAC
SSR Maximum Peak Off-State Voltage (3)	1200	1200	1200	Vpeak
Rated Current (4)	10	25	45	Arms
Minimum Current	0.2	0.2	0.2	Arms
Maximum Off-State Leakage (5)	10.0	10.0	10.0	mArms
One Cycle Surge Current (6)	160	270	450	Apeak
I ² t Fusing Current	128	365	1000	A ² Seconds
Maximum On-State Voltage Drop (7)	1.6	1.6	1.6	Volts
Off-State dv/dt (8)	500	500	500	V/μSec

GENERAL SPECIFICATIONS: (1)

Parameter	GA312D10R GA312D25R GA312D45R	GA312D10Z GA312D25Z GA312D45Z	GA312A25R GA312A25Z GA312A45R GA312A45Z	UNITS
Parameter				
Operating Temperature Range	-30 to 80°C	-30 to 80°C	-30 to 80°C	°C
Storage Temperature Range	-40 to 100°C	-40 to 100°C	-40 to 100°C	°C
Maximum Turn-on Time (9)	.20	8.33	20	mSec
Maximum Turn-off Time (10)	8.33	8.33	30	mSec
Input/Output Isolation (11)	4000	4000	4000	VAC
Input/Output to Base Isolation (11)	4000	4000	4000	VAC
Input/Output Capacitance (typical)	8	8	8	pF
Line Frequency Range	47 to 63	47 to 63	47-63	Hz
Weight	450	450	450	g

GA3 SERIES 3 PHASE SOLID STATE RELAY PART NUMBER SELECTION GUIDE

OUTPUT RATING	10A	25A	45A
FUNCTION	GA312D10R	GA312A25R	GA312A45R
Random Turn-on		GA312D25R	GA312D45R
Zero Voltage Turn-on	GA312D10Z	GA312A25Z GA312D25Z	GA312A45Z GA312D45Z

Notes:

- (1) Specifications apply to each phase at an ambient temperature of -20 to 80°C unless otherwise noted.
- (2) Input is regulated and current limited.
- (3) 1000 V peak with Transorb® protection. Applying 1000V or greater will increase the off-state leakage and may result in relay failure if applied for longer than 1 second.
- (4) See thermal dissipation/derating chart for heat sinking requirements. Catalog number HS-7 heat sink available separately for mounting GA3 series SSR's.
- (5) At 480 VAC line voltage, 25°C.
- (6) One AC cycle maximum duration, non-repetitive, 25°C.
- (7) At rated output current, 25°C.
- (8) Minimum dv/dt per EIA/NARM RS443, method RS397, 25°C.
- (9) At minimum input voltage, maximum line voltage, rated output current, 25°C.
- (10) At maximum input voltage, maximum line voltage, rated output current, 25°C.
- (11) At 25°C for 1 second maximum duration.

Products and specifications subject to change without notice.
Consult factory for application assistance.