



SPECIFICATIONS

Switch Function	SPDT
Electrical Ratings	300mA @ 6VDC
Electrical Life	10,000 cycles typical
Contact Resistance	< 50 mΩ initial
Actuation Force	200 +/- 50gF
Actuator Travel	2.0 mm total
Dielectric Strength	1000Vrms min
Insulation Resistance	> 100MΩ min
Operating Temperature	-40°C to 85°C
Storage Temperature	-40°C to 85°C

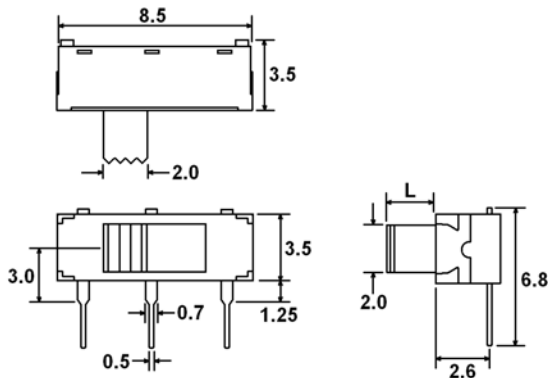
MATERIALS

Actuator	Acetal
Housing	6/6 Nylon
Cover	Stainless Steel
Contacts	Phosphor Bronze, Silver Plated
Terminals	Brass, Silver Plated

ORDERING INFORMATION

1. Series:	MS1223A
MS1223	
MS1223A	

DIMENSIONS



Part Number	"L" (mm)
MS1223	2.0
MS1223A	4.4

SCHEMATIC & PC LAYOUT

