

**SPECIFICATIONS**

Electrical Ratings	50mA @ 50VDC
Electrical Life	100,000 cycles typical
Contact Resistance	< 50 mΩ initial
Actuation Force	100 +/- 50gF 160 +/- 30gF 260 +/- 50gF
Actuator Travel	.25 +/- .1mm
Dielectric Strength	250Vrms min
Insulation Resistance	> 100MΩ min
Operating Temperature	-40°C to 85°C
Storage Temperature	-40°C to 85°C
Standard Packaging	1000pcs (ammo pack)



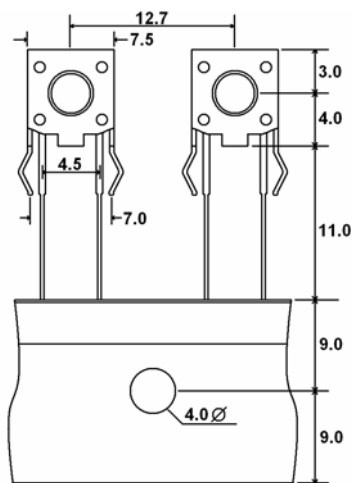
**MATERIALS ←RoHS COMPLIANT**

Actuator	6/6 Nylon
Housing	PBT
Cover	Steel, Tin Plated
Contacts	Phosphor Bronze, Silver Plated
Terminals	Brass, Silver Plated

**ORDERING INFORMATION**

<b>1. Series:</b>	<b>CR1102V</b>	<b>4.75</b>	<b>F160</b>
CR1102V			
<b>2. Actuator Length "L" (mm):</b>			
4.75			
<b>3. Actuation Force:</b>			
F100 = 100gF			
F160 = 160gF			
F260 = 260gF			

**DIMENSIONS**



**SCHEMATIC & PC LAYOUT**

