

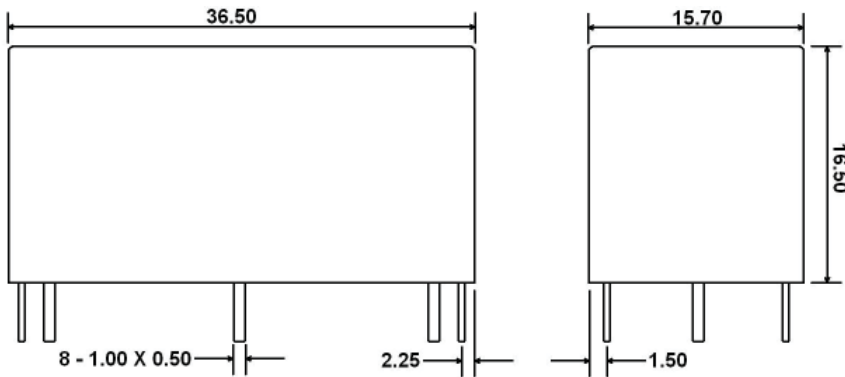
A7

Ordering Information

1. Series	A7	H	S	12VDC	.64
2. Contact Arrangement	H - 2 x 1C (H-Bridge)				
3. Sealing Option	S = Sealed C = Dust Cover				
4. Coil Voltage	12VDC				
5. Coil Power	.64 = .64W .93 = .93W				

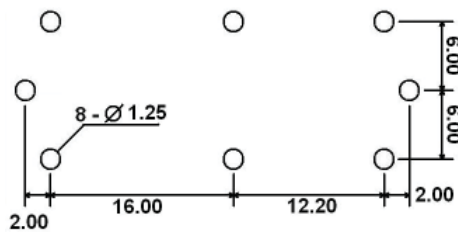
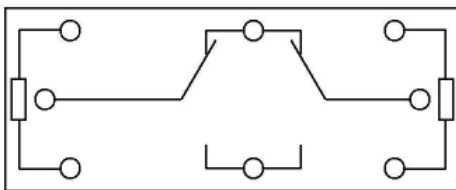
Dimensions

Units = mm



Schematics & PC Layouts

Bottom Views



Dimensions shown in mm. Dimensions are shown for reference purposes only.

Specifications and availability subject to change without notice.