

Series 19X MAXI® Circuit Breakers

Auto, Manual & Modified Reset

SPECIFICATIONS

Single Pole Thermal Type Breakers

Ratings: 8A to 50A; Series 191 & 192

12 VDC; Series 193, 194 & 195 24 VDC.

Operating Temperature: -20°F (-10°C) to 150°F (65°C).

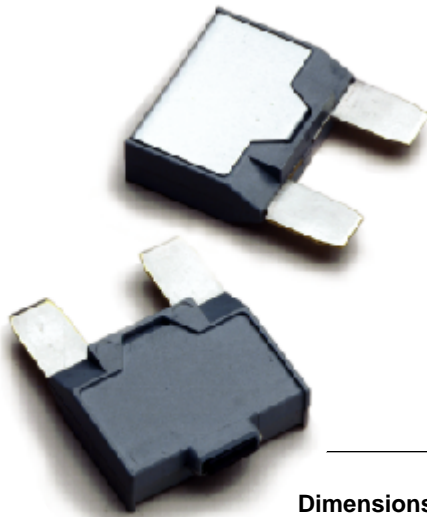
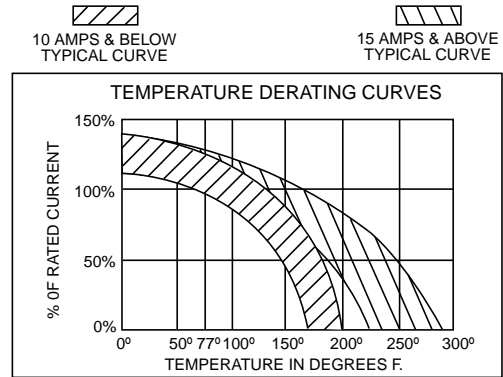
Housing Material: Gray 94VO Thermoplastic

Storage Temperature: -20°F (-10°C) to 200°F (93°C).

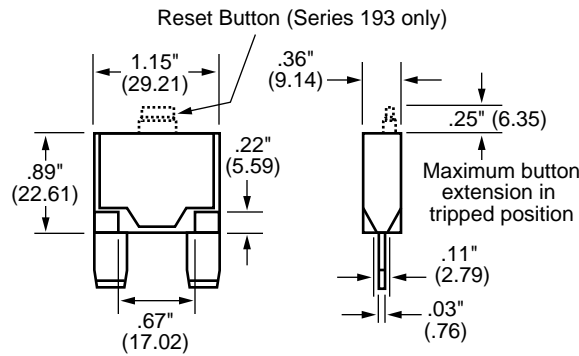
Applications: Autos, trucks, RV's, buses, boats, portable generators, welding equipment, etc.

Interchangeable Blade Terminals: with MAXI® blade fuse.

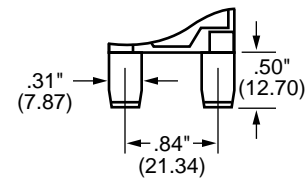
Approvals: Complies with SAE standard J553.



Dimensions



Terminal Options



01 MAXI

PART NUMBERING SYSTEM

Series	Rating	Terminal	Cover	Button (193 Series Only)	Marking
191 – Auto Reset (12 VDC) 192 – Modified Reset (12 VDC) 193 – Manual Reset (24 VDC) 194 – Auto Reset (24 VDC) 195 – Modified Reset (24 VDC)	08 – 8 amps 10 – 10 amps 15 – 15 amps 20 – 20 amps 25 – 25 amps 30 – 30 amps 35 – 35 amps 40 – 40 amps 50 – 50 amps	01 – MAXI	M – Metal* P – Plastic	Blank – No button 1 – Black 2 – White	Consult factory for special markings.

* Metal cover aids heat dissipation. Mandatory for Modified Resets (192 & 195). Recommended, but not mandatory on Auto Resets (191 & 194). Not available on Manual Resets (193).