

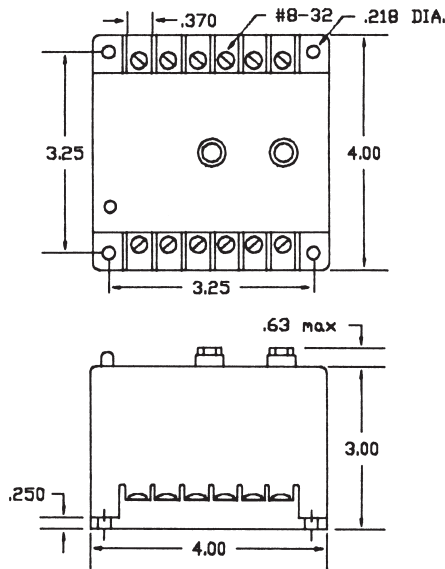
## Phase Monitor

- Models Available up to 480 VAC
- PROTECTS 3-PHASE EQUIPMENT AGAINST:
  - Phase Loss
  - Under Voltage
  - Phase Unbalance

### LOCK SHAFT ADJUSTMENT FOR:

- Phase Unbalanced Percent
- Under Voltage Drop Out
- Automatic Reset
- Delta or Wye Systems

### DIMENSIONS (INCHES)



The SLE Series is designed to protect 3-phase equipment against **PHASE UNBALANCE, PHASE LOSS, and UNDER VOLTAGE.**

### OPERATION

With normal operating voltage present on all three phases, the internal relay will energize (PICK-UP). When a phase loss occurs or the voltages fall outside the preset unbalance or under voltage settings, the internal relay will de-energize (DROP-OUT). The relay automatically resets when the line conditions return to normal.

Both Delta and Wye systems may be monitored. In Wye Systems, connections to neutral are not required.

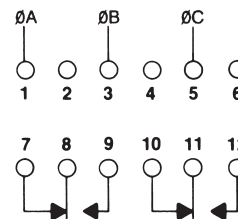
NOTE: When a phase is lost while the motor is running, a condition known as regeneration occurs where a voltage is induced into the open phase nearly equal in magnitude to the normal phase-to-phase voltage. The SLE series is designed to detect this condition when properly adjusted.

The SLE Series is UL Listed under UL File Number E55826

### SPECIFICATIONS

<b>OPERATING VOLTAGE</b>	See Table Below	
<b>TRANSIENT PROTECTION</b>	1000 Volts For 8 mSEC	
<b>RESET</b>	Automatic	
<b>PHASE UNBALANCE RANGE</b>	2% to 10%, Adjustable	
<b>INDICATORS LED</b>	Glows When All Conditions Are Normal	
<b>RESPONSE TIMES MODELS UP TO 300 VAC</b>	Operate	60 Milliseconds
	Release	0.5 Seconds
<b>RESPONSE TIMES MODELS OVER 300 VAC</b>	Operate	1 Second
	Release	2 Seconds
<b>TEMPERATURE RATING</b>	Operate	32° to +131°F (0° to +55°C)
	Storage	-49° to 185°F (-45° to +85°C)
<b>U.S. PATENT NO.</b>	4,331,995	
<b>WEIGHT</b>	12.5 to 13 oz.	

### WIRING



MODEL NUMBER	OPERATING VOLTAGE	UNDER VOLTAGE DROPOUT RANGE	POWER REQUIRED	HYSTERESIS	OUTPUT RATING
SLE-120-ALE	120 VAC	95-115 Adj.	3 VA Max.	5.0 VAC	DPDT, 5 Amps, Resistive; 345 VA, Inductive @ 240 VAC
SLE-230-ALE	208/240 VAC	185-230 Adj.			
SLE-380-ALE	380 VAC	315-390 Adj.	7 VA Max.	10 VAC	DPDT, 3 Amps, Resistive; 360 VA, Inductive @ 600 VAC
SLE-440-ALE	440/480 VAC	370-460 Adj.			

All voltage referenced are phase-to-phase.