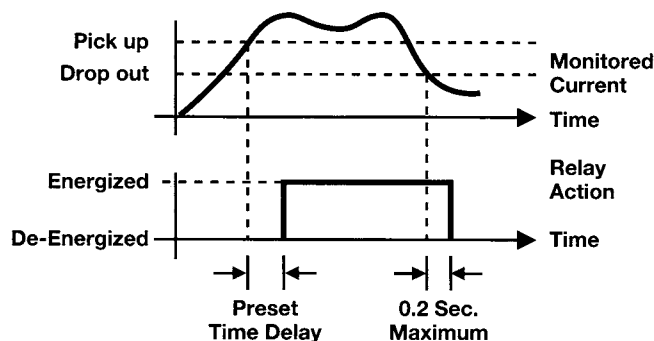


OPERATION

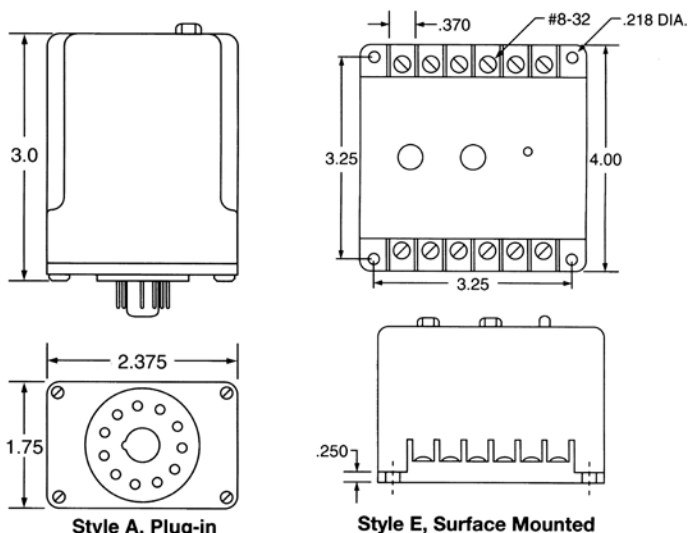
The **CMO Series** is used to detect **OVER CURRENT** conditions. The internal relay energizes (Pick-up) when the monitored current exceeds the preset trip point for longer than the adjustable time delay. The delay is incorporated to prevent nuisance tripping caused by motor inrush currents. The CMO has an automatic reset feature. The internal relay de-energizes (Dropout) when the current drops 5% below the preset trip for longer than 0.2 seconds.

An External CT may be used to extend the range of the Current.

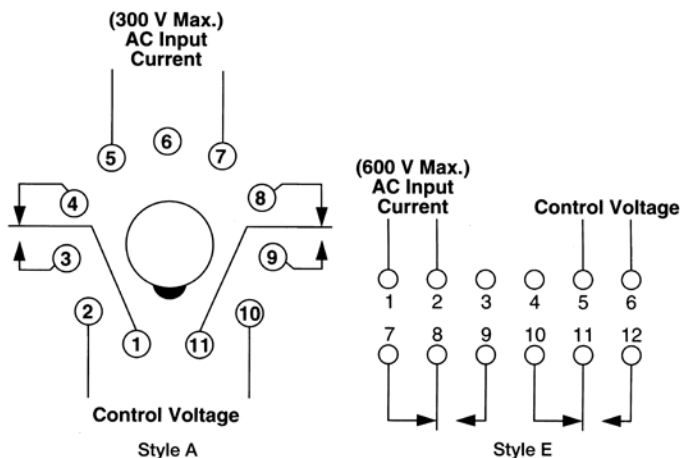
CMO



DIMENSIONS (INCHES)



WIRING



AC Over Current Monitor/Relays

SPECIFICATIONS

CONTROL VOLTAGE	24 or 120 VAC 50/60 Hz 24VDC	
TRIP POINTS	Pick-up	See order information
	Drop-out	5% below Pick-up
OUTPUT	DPDT, 10 Amps @ 120 VAC, Resistive	
HYSTERESIS	5%	
RESPONSE TIME	Operate	0.1 to 5 SEC, Adjustable
	Release	0.2 SEC
INDICATOR	LED Glows On Over Current (Style "E" Enclosure Only)	
SOCKET	RB-11 Socket for Style A.	
RESET	Automatic	
TEMPERATURE RATING	Operate	32° to 131°F (0° to +55°C)
	Storage	-49° to 185°F (-45° to +85°C)
ENCLOSURE	Style A	Lexan Dust Cover; 11-pin Plug-in
	Style E	Lexan Surface Mounted; #8-32 Screw Terminals
WEIGHT	Style A: 5 oz. Style E: 13 oz.	

MODEL NUMBER

MODEL NUMBER	CMO			S		
CONTROL VOLTAGE	24 Volts	24				
	120 Volts	120				
TYPE OF CONTROL VOLTAGE	AC		A			
	DC (24 Volt Only)		D			
ENCLOSURE STYLE	Plug-In				A	
	Surface Mount				E	
CURRENT TRIP POINTS	0.05 to 0.25 amp adj.					.25
	0.2 to 1 amp adj.					1
	1.0 to 5.0 amps adj.					5
	2.0 to 10 amps adj.					10
	4.0 to 20 amps adj. (E Housing Only)					20