

The **Expandable Alternating Relays** are designed for use in multiple load installations that are required to alternate in sequence and have the ability to accept an additional load installation in the future.

ARA-120-AME: The ARA-120-AME is a **Duplexor/Triplexor Alternating Relay**. With the selector switch in position A, this alternating relay will duplex the loads on terminals 7 and 9. With the switch in position B, the Alternating Relay will triplex the three loads on terminals 7, 9 and 11.

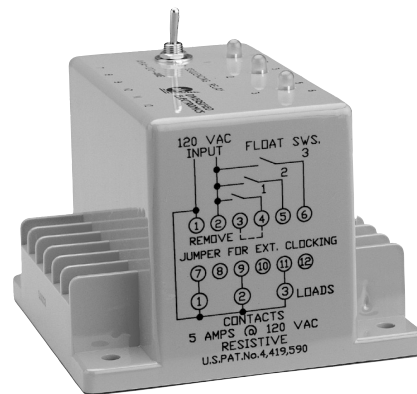
For automatic alterations, a factory-installed jumper is in place between terminals 3 and 4. The alternating action is accomplished when the control switch between terminals 2 and 4 opens.

For external clocking alterations, remove the factory installed jumper between terminals 3 and 4 and place an isolated normally open switch between terminals 2 and 3. The alternating action will occur each time this isolated switch is closed and then re-opened.

ARA-120-ANE: The ARA-120-ANE is a **Triplexor/Quadraplexor Alternating Relay**. With the selector switch in position A, the Alternating Relay will triplex between the loads on terminals 7, 8 and 9. With the switch in position B, the Alternating relay will quadraplex the loads on terminals 7, 8, 9 and 10.

For automatic alterations, a factory installed jumper is in place between terminals 11 and 12. The alternating action is accomplished when the control switch between terminals 2 and 3 opens. For external clocking alterations, remove the factory installed jumper between terminals 11 and 12 and place an isolated normally open switch between terminals 2 and 3. The alternating action will occur each time this isolated switch is closed and then re-opened.

In the event of a power failure the Alternating Relays will return to their quiescent state and continue sequencing loads on one-at-a-time.

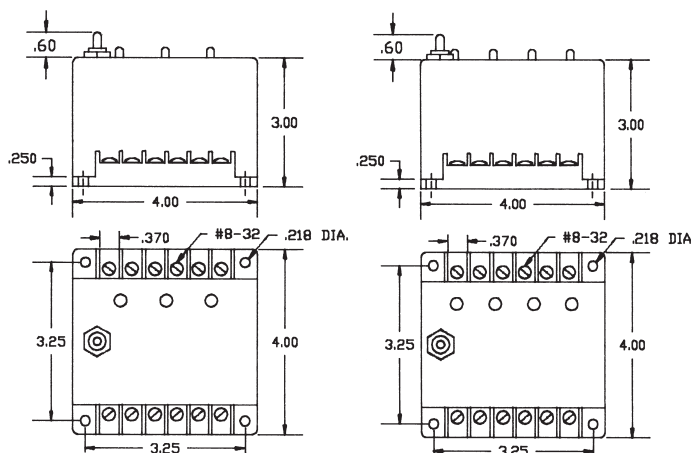


Expandable Alternating Relays

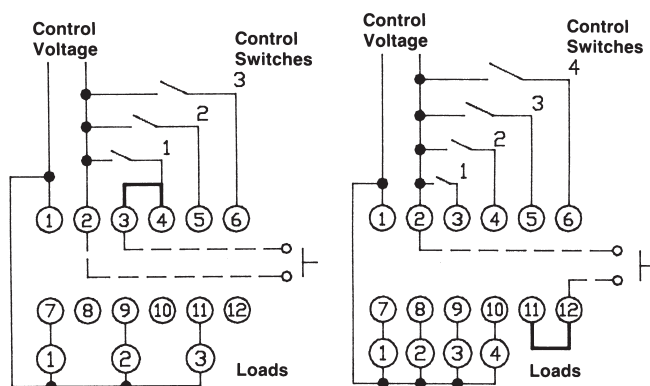
ORDERING INFORMATION

MODEL NUMBER	DESCRIPTION
ARA-120-AME	Duplexor/Triplexor
ARA-120-ANE	Triplexor/Quadraplexor

DIMENSIONS (INCHES)



WIRING



SPECIFICATIONS

CONTROL VOLTAGE	120 VAC \pm 10%, 50/60 Hz
CONTROL SWITCH CURRENT	2 mA
POWER REQUIRED	3 VA (Approximately)
DUTY CYCLE	Continuous
OUTPUT RATING	Triplexor (3) 5 Amp Resistive, 1/6 hp, 211 VA @ 120 VAC, Inductive Externally Switched to terminal #2 Quadraplexor (4) 5 Amp Resistive, 1/6 hp, 211 VA @ 120 VAC, Inductive Externally Switched to terminal #2
LIFE EXPECTANCY	Mechanical 10,000,000 Operations (Minimum) Electrical 100,000 Operations @ Rated Load
INDICATORS	LED's Show Condition of Outputs
TEMPERATURES RATING	Operate -4° to 131°F (-20° to +55°C) Storage -40° to 185°F (-40° to +85°C)
ENCLOSURE	Style "E" Lexan® Surface Mounted
TERMINATIONS	(12) #8-32 Screw Terminals
WEIGHT	12.5 to 14 oz.