

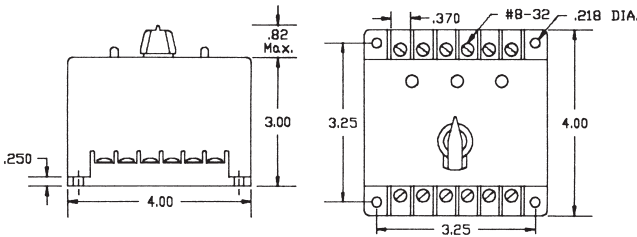
INCLUDES
"LOAD OMIT"
SWITCH

Special Function Alternating Relay

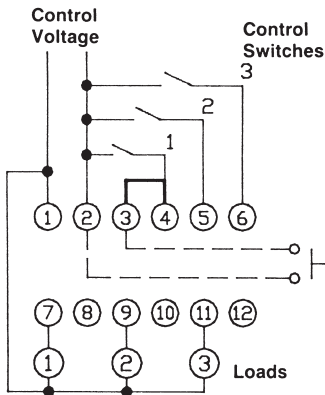
ORDERING INFORMATION

MODEL NUMBER	DESCRIPTION
ARA-120-AHE	Special Function Alternating Relay

DIMENSIONS (INCHES)



WIRING



OPERATION

The **ARA-120-AHE** is a special function **TRIPLEXOR** designed for three load installations. This model has a field selection switch that is used to omit one of the three loads for general or emergency maintenance while duplexing the remaining two loads. The ARA-120-AHE has the option of alternating on each load cycle or by external clocking. This alternating relay also allows for additional loads to run in the event of excess load requirements.

The alternating action is initiated by the control switch between terminals 2 and 4 when the factory installed jumper is in place between terminals 3 and 4.

The alternating action may be initiated externally by removing the factory installed jumper between terminals 3 and 4 and placing an isolated normally open switch between terminals 2 and 3. An alternating action will occur each time this isolated switch is closed and then re-opened.

The selection switch has the following positions:

- Normal** — Normal operation as Triplexor
- Omit 1** — Omit load #1 Duplex loads 2 and 3
- Omit 2** — Omit load #2 Duplex loads 1 and 3
- Omit 3** — Omit load #3 Duplex loads 1 and 2

In the event of a power failure, the Alternating Relay will return to its quiescent state and continue sequencing loads on one-at-a-time.

NOTE: When the "omit load" option is selected, full potential will appear on the output terminal of the omitted load when the lag switch between terminals 2 and 5 closes. It is recommended that the H-O-A switch be placed in the "off" position for the omitted load.

SPECIFICATIONS

CONTROL VOLTAGE	120 VAC ±10%, 50/60 Hz
CONTROL SWITCH CURRENT	2 mA
POWER REQUIRED	3 VA (Approximately)
DUTY CYCLE	Continuous
OUTPUT RATING	Triplexor (3) 5 Amp Resistive, 1/6 hp, 211 VA @ 120 VAC, Inductive Externally Switched to terminal #2
LIFE EXPECTANCY	Mechanical 10,000,000 Operations (Minimum) Electrical 100,000 Operations @ Rated Load
INDICATORS	LED's Show Condition of Outputs
TEMPERATURES RATING	Operate -4° to 131°F (-20° to +55°C) Storage -40° to 185°F (-40° to +85°C)
ENCLOSURE	Style "E" Lexan® Surface Mounted
TERMINATIONS	(12) #8-32 Screw Terminals
WEIGHT	16 oz.