

AZ769

25 AMP MINIATURE POWER RELAY

FEATURES

- Low cost
- 25 Amp switching
- 80 Amp inrush current
- Quick connect and PCB terminals
- Flux tight construction
- Class F insulation system standard
- UL, CUR file E44211



CONTACTS

Arrangement	SPST (1 Form A)
Ratings	Resistive load: Max. switched power: 600W or 6250VA Max. switched current: 25A Max. switched voltage: 150VDC* or 250VAC *Note: If switching voltage is greater than 30VDC, special precautions must be taken. Please contact the factory.
Rated Load UL, CUR	25A at 277VAC resistive (100k cycles) 85°C [1] [2] 1HP at 120VAC (100k cycles) 85°C [1] [2] 2HP at 240VAC (100k cycles) 85°C [2] 2HP at 240VAC (30k cycles) 85°C [1]
Material	silver cadmium oxide [1], silver tin oxide [2]
Resistance	< 100 milliohms initially (6V, 1A voltage drop method)

COIL

Power At Pickup Voltage (typical)	441mW
Max. Continuous Dissipation	2.25W at 20°C (68°F) ambient
Temperature Rise	45°C (81°F) at nominal coil voltage
Temperature	Max. 155°C (311°F)

NOTES

1. All values at 20°C (68°F).
2. Relay may pull in with less than "Must Operate" value.
3. Specifications subject to change without notice.

GENERAL DATA

Life Expectancy Mechanical Electrical	Minimum operations 2 x 10 ⁶ 1 x 10 ⁵ at 20A 250VAC Res.
Operate Time (max)	20 ms at nominal coil voltage
Release Time (max)	10 ms at nominal coil voltage (with no coil suppression)
Dielectric Strength (at sea level for 1 min.)	4500Vrms coil to contact 1000Vrms between open contacts 10,000V surge contact to coil
Insulation Resistance	1000 megohms min. at 20°C, 500 VDC, 50% RH
Dropout	Greater than 10% of nominal coil voltage
Ambient Temperature Operating Storage	At nominal coil voltage -40°C (-40°F) to 85°C (185°F) -40°C (-40°F) to 130°C (266°F)
Vibration	0.062" DA at 10–55 Hz
Shock Operating Non-Operating	20 g, 11 ms, 1/2 sine (no false operation) 100 g, 11 ms, 1/2 sine (no damage)
Enclosure	P.B.T. polyester
Terminals	Tinned copper alloy P.C. & quick connect Note: Allow suitable slack on leads when wiring, and do not subject the terminals to excessive force.
Max. Solder Temp.	270°C (518°F)
Max. Solder Time	5 seconds
Weight	Approx. 23 grams

AMERICAN ZETTLER, INC.

12/05/17

AZ769

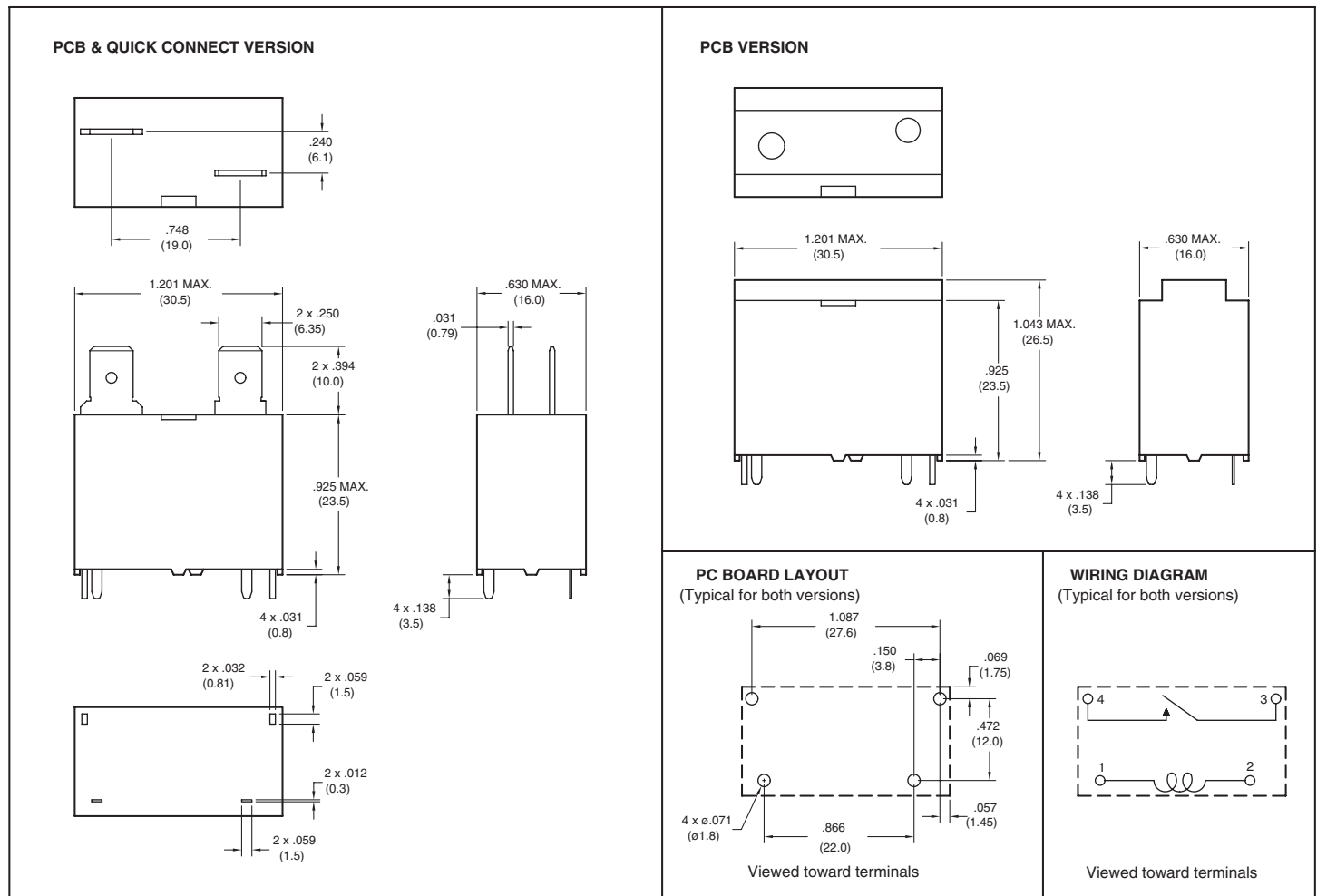
RELAY ORDERING DATA

COIL SPECIFICATIONS - QUICK CONNECT TERMINALS				ORDER NUMBER*
Nominal Coil VDC	Must Operate VDC	Max. Continuous VDC	Coil Resistance $\pm 10\%$	Form A (SPST)
5	3.5	7.9	27.8	AZ769-1A-5D
12	8.4	19.0	160	AZ769-1A-12D
24	16.8	37.9	640	AZ769-1A-24D
48	33.6	76.0	2560	AZ769-1A-48D

COIL SPECIFICATIONS - PCB TERMINALS				ORDER NUMBER*
Nominal Coil VDC	Must Operate VDC	Max. Continuous VDC	Coil Resistance $\pm 10\%$	Form A (SPST)
5	3.5	7.9	27.8	AZ769-1A-5DK
12	8.4	19.0	160	AZ769-1A-12DK
24	16.8	37.9	640	AZ769-1A-24DK
48	33.6	76.0	2560	AZ769-1A-48DK

*Add suffix "E" to "1A" for silver tin oxide contacts.

MECHANICAL DATA



AMERICAN ZETTLER, INC.

12/05/17

PHONE: (949) 831-5000

www.azettler.com

E-MAIL: SALES@AZETTLER.COM

This specification provides an overview of the most significant part features. Any individual applications and operating conditions are not taken into consideration. It is recommended to test the product under application conditions. Responsibility for the application remains with the customer. Proper operation and service life cannot be guaranteed if the part is operated outside the specified limits.