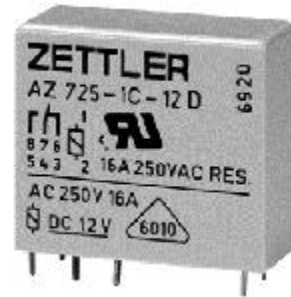


AZ725

20A MINIATURE POWER RELAY

FEATURES

- Dielectric strength 5000 Vrms
- 20 Amp switching — single pole contacts
- Isolation spacing greater than 8mm
- Molded materials: all 94 V-0
- UL, CUR file E43203



CONTACTS

Arrangement	SPST (1 Form C) SPST (1 Form A and 1 Form B)
Ratings	Resistive load: Max. switched power: 480 W or 5000 VA Max. switched current: 20 A Max. switched voltage: 150* VDC or 400 VAC *Note: If switching voltage is greater than 30 VDC, special precautions must be taken. Please contact the factory.
Rated Load UL	20 A at 250 VAC, resistive 70°C
Material	Silver Tin oxide
Resistance	< 30 milliohms initially

COIL

Power At Pickup Voltage (typical)	270 mW
Max. Continuous Dissipation	2.6 W at 20°C (68°F) ambient 2.0 W at 40°C (104°F) ambient
Temperature Rise	32°C (58°F) nominal coil voltage
Temperature	Max. 130°C (266°F)

NOTES

1. All values at 20°C (68°F).
2. Relay may pull in with less than "Must Operate" value.
3. Specifications subject to change without notice.

GENERAL DATA

Life Expectancy Mechanical Electrical	Minimum operations 2 x 10 ⁷ 1 x 10 ⁵ at 16 A 250 VAC Res.
Operate Time (typical)	7 ms at nominal coil voltage
Release Time (typical)	3 ms at nominal coil voltage (with no coil suppression)
Dielectric Strength (at sea level for 1 min.)	5000 Vrms coil to contact 1000 Vrms between open contacts
Insulation Resistance	1000 megohms min. at 20°C, 500 VDC, 50% RH
Dropout	Greater than 10% of nominal coil voltage
Ambient Temperature Operating Storage	At nominal coil voltage -40°C (-40°F) to 85°C (185°F) -40°C (-40°F) to 130°C (266°F)
Vibration	0.062" DA at 10–55 Hz
Shock	10 g
Enclosure	P.B.T. polyester
Terminals	Tinned copper alloy
Max. Solder Temp.	270°C (518°F)
Max. Solder Time	5 seconds
Max. Immersion Time	30 seconds
Max. Solvent Temp	80°C (176°F)
Weight	19 grams

AZ725

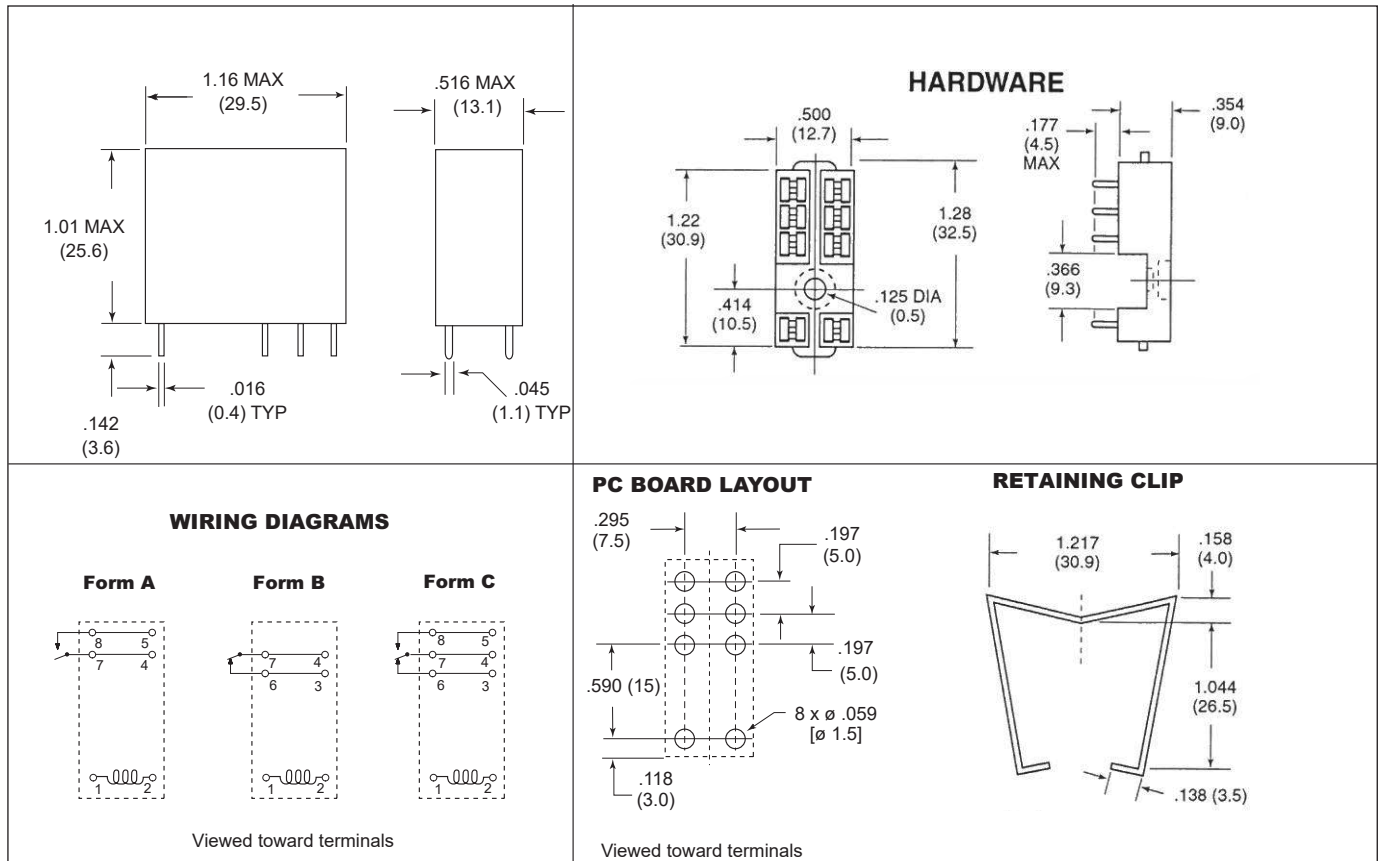
RELAY ORDERING DATA

COIL SPECIFICATIONS — DC Coil				ORDER NUMBER*		
Nominal Coil VDC	Must Operate VDC	Max. Continuous VDC	Nominal mA $\pm 10\%$	Coil Resistance $\pm 10\%$	Form A (SPST)	Form C (SPDT)
5	3.5	11.3	102.0	49	AZ725-1AE-5D	AZ725-1CE-5D
6	4.2	13.3	88.21	68	AZ725-1AE-6D	AZ725-1CE-6D
12	8.4	26.0	46.2	260	AZ725-1AE-12D	AZ725-1CE-12D
24	16.8	53.5	21.8	1,100	AZ725-1AE-24D	AZ725-1CE-24D
48	33.6	107.0	10.9	4,400	AZ725-1AE-48D	AZ725-1CE-48D
60	42.0	135.0	8.6	7,000	AZ725-1AE-60D	AZ725-1CE-60D

* Substitute "1BE" in place of "1AE" for Form B contacts.

DESCRIPTION	ORDER NUMBER
Socket	ST484-U1
Retaining Clip	ST482-2

MECHANICAL DATA



Dimensions in inches with metric equivalents in parentheses. Tolerance: $\pm .010$ "

AMERICAN ZETTLER, INC.

2/16/21

PHONE: (949) 831-5000

www.azettler.com

E-MAIL: SALES@AZETTLER.COM

This specification provides an overview of the most significant part features. Any individual applications and operating conditions are not taken into consideration. It is recommended to test the product under application conditions. Responsibility for the application remains with the customer. Proper operation and service life cannot be guaranteed if the part is operated outside the specified limits.