

# Power supply CP-T 48/10.0

## Primary switch mode power supply

The CP-T range of three-phase power supply units is the youngest member of ABB's power supply family. In terms of design and functionality, the new range perfectly supplements the existing products and extends the range appropriately. The devices can be supplied with a three-phase voltage as well as with two-phase mains. Here, ABB offers a power supply unit with 48 V DC output with 10 A and efficiency of up to 91 %. As in the case of all products, they are designed for an ambient temperature of up to 70 °C.

### Characteristics

- Rated output voltage 48 V DC
- Output voltage adjustable via front-face rotary potentiometer "OUTPUT Adjust"
- Configurable output behavior (U/I mode, hiccup mode)
- Rated output current 10 A
- Rated output power 480 W
- Wide supply voltage range 3 x 400-500 V AC (340-575 V AC, 480-820 V DC)
- Two-phase supply with a derating of the output to 75 % possible / permitted
- High efficiency of up to 91 %
- Low power dissipation and low heating
- Free convection cooling (no forced cooling with ventilators)
- Ambient temperature range during operation -30...+70 °C
- Open-circuit, overload and short-circuit stable
- Integrated input fuse

### Order data

Type	Input voltage range	Rated output voltage	Rated output current	Order code
CP-T 48/10.0	340-575 V AC 480-820 V DC	48 V DC	10 A	1SVR 427 055 R2000



2CDC 271 046 S0009

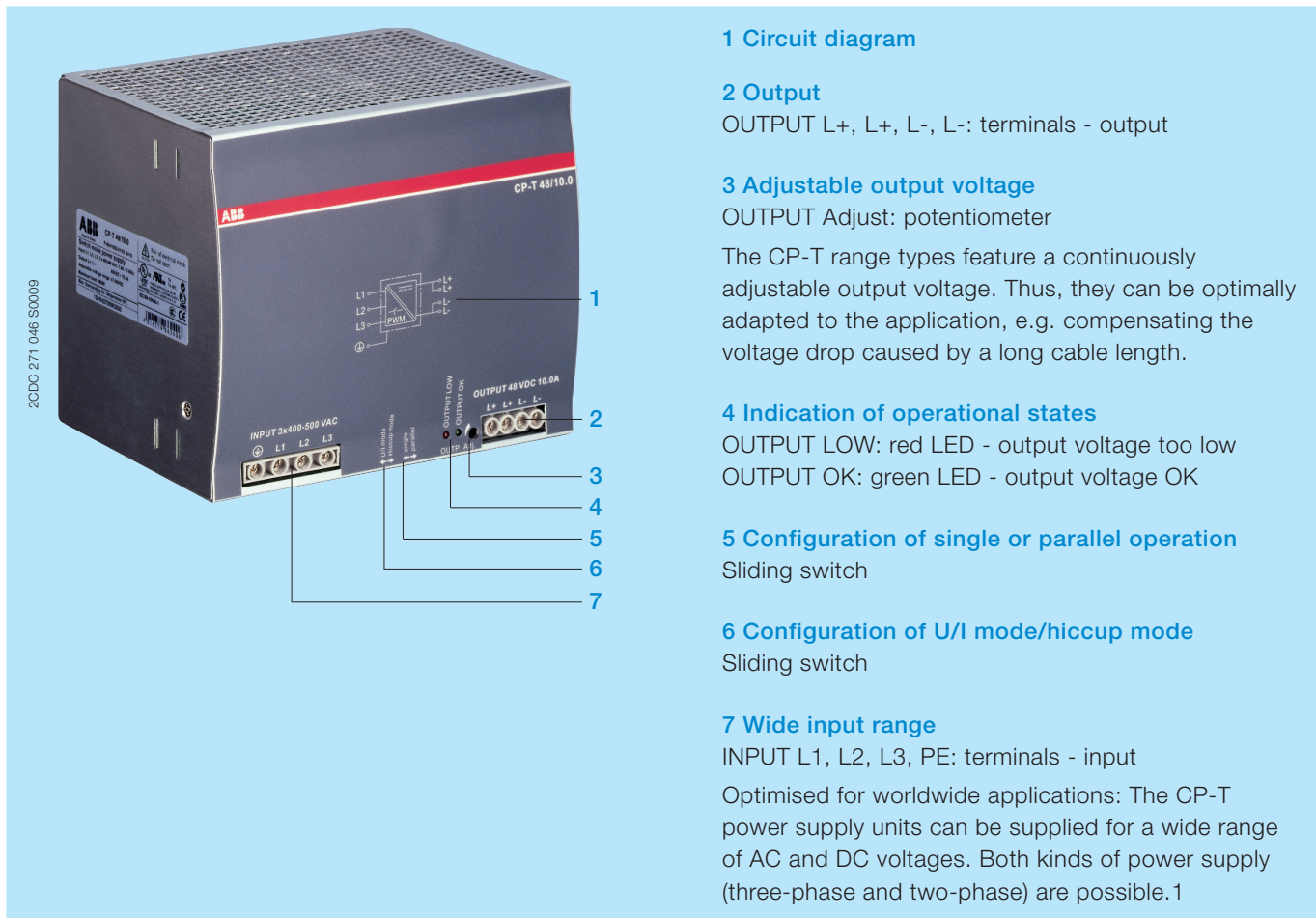
### Approvals

- UL 508, CAN/CSA C22.2 No.107.1<sup>1)</sup>
- ANSI/ISA-12.12, CAN/CSA C22.2 No. 213<sup>1)</sup> (Class I, Div. 2, Hazardous Locations)
- UL 60950, CAN/CSA C22.2 No. 60950<sup>1)</sup>
- 
- EAC

<sup>1)</sup> Approvals refer to rated input voltage  $U_{in}$

### Marks

- CE
- RCM



**1 Circuit diagram**

**2 Output**

OUTPUT L+, L+, L-, L-: terminals - output

**3 Adjustable output voltage**

OUTPUT Adjust: potentiometer

The CP-T range types feature a continuously adjustable output voltage. Thus, they can be optimally adapted to the application, e.g. compensating the voltage drop caused by a long cable length.

**4 Indication of operational states**

OUTPUT LOW: red LED - output voltage too low  
 OUTPUT OK: green LED - output voltage OK

**5 Configuration of single or parallel operation**

Sliding switch

**6 Configuration of U/I mode/hiccup mode**

Sliding switch

**7 Wide input range**

INPUT L1, L2, L3, PE: terminals - input

Optimised for worldwide applications: The CP-T power supply units can be supplied for a wide range of AC and DC voltages. Both kinds of power supply (three-phase and two-phase) are possible. 1

**Application**

The primary switch mode power supply offers a three-phase supply voltage range of 3 x 400-500 V AC. A two-phase power supply is also possible and it can also be supplied by 480-820 V DC. Furthermore, this power supply unit is equipped with two generous capacitors, which ensure mains buffering of at least 20 ms. That is why the devices can be used worldwide also in high fluctuating networks and battery-powered plants.

**Operating mode**

By means of the potentiometer "OUTPUT Adjust" the output voltage can be adjusted within a range of 47-56 V DC. Thus, the power supply can be optimally adapted to the application, e.g. compensating the voltage drop caused by a long line length.

The green LED "OUTPUT OK" is lightening during proper operation, i. e. when the output voltage exceeds 75 %.

The red LED "OUTPUT LOW" is lightening when the output voltage is less than 70 % of the rated output voltage.

Two-phase supply is permissible with a derating of the output to 75 %.

## Installation

The device must be installed by qualified persons only and in accordance with the specific national regulations (e.g. VDE, etc.). The devices are maintenance-free chassis-mounted units.

### Before installation



#### **DANGER!**

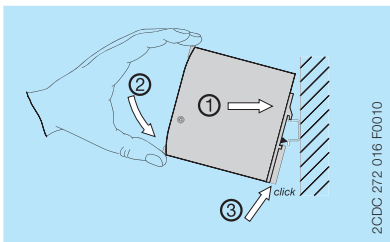
#### **Components with high stored energy and circuits with high voltage**

#### **Danger to be electrocuted!**

- ▶ Disconnect the system from the supply network and protect against switching on before any installation, maintenance or modification work.
- ▶ Do not introduce any objects into the unit and do not open the unit.
- ▶ Ensure that the service personnel is protected against inadvertent contact with parts carrying energy.

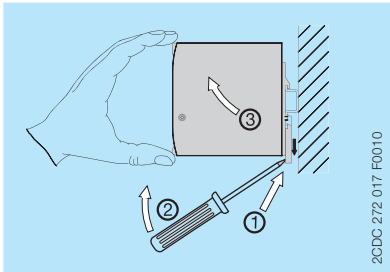
### Mounting

The switch mode power supply can be snapped on a DIN rail (TH 35-15 or TH 35-7.5 according to IEC/EN 60715) as shown in the accompanying picture. For that the device is set with its mounting rail slide on the upper edge of the mounting rail and locked by lifting it downwards.



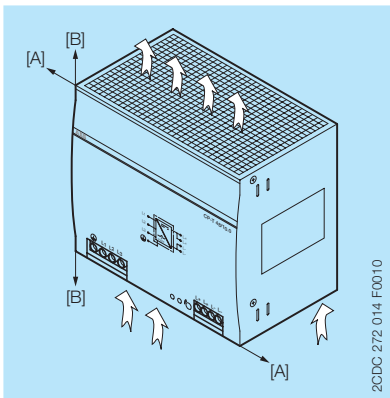
### Demounting

Remove the switch mode power supply as shown in the accompanying picture. For that the latching lever is pulled downwards by means of the screwdriver. Alternatively you can press the unlock button to release the device. Then in both cases the device can be unhinged from the mounting rail edge and removed.



### Mounting position

The devices have to be mounted horizontally with the input terminals on the bottom. In order to ensure a sufficient convection, the minimum distance to other modules should not be less than 25 mm (0.98 in) in vertical and horizontal direction.



## Electrical connection



### Connection diagram

#### Preparations:

- Connect to main according to the specific national regulations.
- Power supply cables and unit must be sufficiently fused. A disconnecting device has to be provided for the power supply to disengage unit and supply cables from supply mains if required.
- We recommend to choose the cable section as large as possible in order to minimize voltage drops.
- In order to ensure sufficient air-cooling the distance to other devices has to be considered.

#### Instructions:

1. Connect the input terminals L1, L2 and L3.
2. Connect the protective earth conductor to the terminal ⊕ (protection class I).
3. Provide a suitable disconnecting device (e.g. line protection switch) in the supply line acc. to IEC/EN 60950.
4. Rate the lines for the maximum output current (considering the short-circuit current) or provide a separate fuse protection. The input side is protected by an internal input fuse.
5. Observe the polarity.

The device is overload, short-circuit and open-circuit proof. The secondary side of the power supply unit is electrically isolated from the input and internally not earthed (SELV) and can therefore be earthed by the user according to the needs with L+ or L- (PELV).

## Operation



### DANGER!

#### High current

#### Risk of electric arcs and electric shocks!

- ▶ Do not modify the installation (primary and secondary side).
- ▶ Intended use.



### CAUTION!

#### Depending on the operation conditions the enclosure can become very hot

#### Risk of burns!

- ▶ In order to ensure sufficient air-cooling the distance to other devices has to be considered.

The device is intended for use as a primary switch mode power supply. Any other usage is not supported by the manufacturer. Other usage may impair safety and cause operational difficulties or destruction of the unit.

## Service

The internal fuse is not user-replaceable. If the internal fuse blows, most probably the device is defective. In this case, an examination of the switch mode power supply by the manufacturer is necessary.

## Technical data

Data at  $T_a = 25\text{ °C}$ ,  $U_{in} = 3 \times 400\text{ V AC}$  and rated values, unless otherwise indicated

Input circuit - supply circuit		L1, L2, L3
Rated input voltage $U_{in}$		3 x 400-500 V AC
Input voltage range		340-575 V AC
		480-820 V DC
Frequency range AC		47-63 Hz
Typical input current		1.1 A
Typical power consumption		535 W
Inrush current limiting		20 A
Power failure buffering time		min. 20 ms
Internal input fuse	per phase	T3.15 A / 500 V AC
Recommended backup fuse		3 pole miniature circuit breaker ABB type S 203
	characteristic	B or C
	max. rating	20 A
Power factor correction (PFC)		yes, passive, 0.65
Discharge / leakage current	towards PE	< 3.5 mA
	input / output	< 0.25 mA
Indication of operational states		
Output voltage	OUTPUT OK: green LED	output voltage OK
	OUTPUT LOW: red LED	output voltage too low
Output circuit		L+, L+, L-, L-
Rated output power		480 W
Rated output voltage		48 V DC
Tolerance of the output voltage		0...+1 %
Adjustment range of the output voltage		47-56 V DC
Rated output current $I_r$	$T_a \leq 60\text{ °C}$	10 A
Derating of the output current	$60\text{ °C} < T_a \leq 70\text{ °C}$	2.5 %/°C
Maximum deviation with	load change statical	±1 % (single mode) ±5 % (parallel mode)
	change of output voltage within the	±0.5 %
	input voltage range	
Control time	at rated load	< 2 ms
Starting time after applying the supply voltage	at $I_r$	max. 1 s
	with 7000 $\mu\text{F}$	max. 1.5 s
Rise time	at rated load	max. 150 ms
	with 7000 $\mu\text{F}$	max. 500 ms
Fall time		max. 150 ms
Residual ripple and switching peaks	BW = 20 MHz	100 mV
Parallel connection		configurable, to increase power, up to 2 devices, min. 0.1 $I_r$ - max. 0.9 $I_r$
Series connection		yes, to increase voltage, max. 2 devices

<b>Output circuit - no-load, overload and short-circuit behaviour</b>		
Characteristic curve of output		U/I or hiccup mode, configurable
Short-circuit protection		continuous short-circuit proof
Short-circuit behaviour		current limiting
Resistance to reverse feed		approx. 35 V
Overload protection		hiccup mode
No-load protection		continuous no-load stability
Overtemperature protection		yes, automatic recovery after temperature went down
Starting of capacitive loads		7000 µF
<b>General data</b>		
Efficiency		typ. 91 %
Duty time		100 %
Dimensions (W x H x D)		150 x 124 x 118.8 mm (5.91 x 4.88 x 4.68 in)
Weight		1.657 kg (3.653 lb)
Material of housing		metal
Mounting		DIN rail (IEC/EN 60715), snap-on mounting without any tool
Mounting position		horizontal
Minimum distance to other units	horizontal / vertical	25 mm / 25 mm (0.98 in / 0.98 in)
Degree of protection	housing / terminals	IP20 / IP20
Protection class		I
<b>Electrical connection - input circuit</b>		<b>L1, L2, L3</b>
Connecting capacity	fine-strand with wire end ferrule	0.2-4 mm <sup>2</sup> (24-11 AWG)
	fine-strand without wire end ferrule	0.2-6 mm <sup>2</sup> (24-10 AWG)
	rigid	0.2-6 mm <sup>2</sup> (24-10 AWG)
Stripping length		8 mm (0.31 in)
Tightening torque		1 Nm (9 lb.in)
<b>Electrical connection - output circuit</b>		<b>L+, L+, L-, L-</b>
Connecting capacity	fine-strand with wire end ferrule	0,2-4 mm <sup>2</sup> (24-11 AWG)
	fine-strand without wire end ferrule	0,2-6 mm <sup>2</sup> (24-10 AWG)
	rigid	0,2-6 mm <sup>2</sup> (24-10 AWG)
Stripping length		8 mm (0,31 in)
Tightening torque		0,6 Nm (5,5 lb.in)
<b>Environmental data</b>		
Ambient temperature range	operation	-30...+70 °C (-22...+158 °F)
	rated load	-30...+60 °C (-22...+140 °F)
	storage	-40...+85 °C (-40...+185 °F)
Altitude during operation (IEC/EN 60068-2-13)		max. 5000 m
Damp heat, cyclic	IEC/EN 60068-2-30	95 % without condensation
Vibration, sinusoidal	IEC/EN 60068-2-6	2 g, 10-500 Hz, 2G, each along X, Y, Z axes 60 min / cycle
Shock, half-sine	IEC/EN 60068-2-27	15 g, 11 ms, 3 axes, 6 faces, 3 times for each face

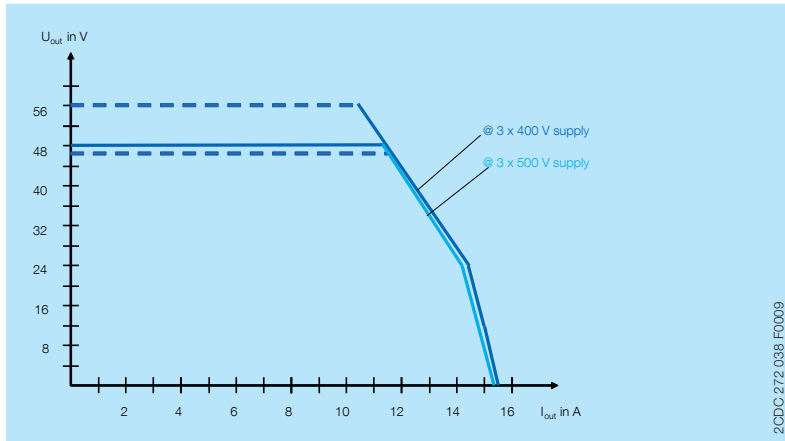
<b>Isolation data</b>		
Rated insulation voltage $U_i$	input circuit / output circuit	3 kV AC
	input / PE	1.5 kV AC
	output / PE	0.5 kV AC; 0.71 kV DC
Pollution degree		2
Overvoltage category		II

<b>Standards / Directives</b>	
Standards	IEC/EN 60950-1
Low Voltage Directive	2014/35/EU
Protective low voltage	SELV (IEC/EN 60950-1)
EMC Directive	2014/30/EU
RoHS Directive	2011/65/EU

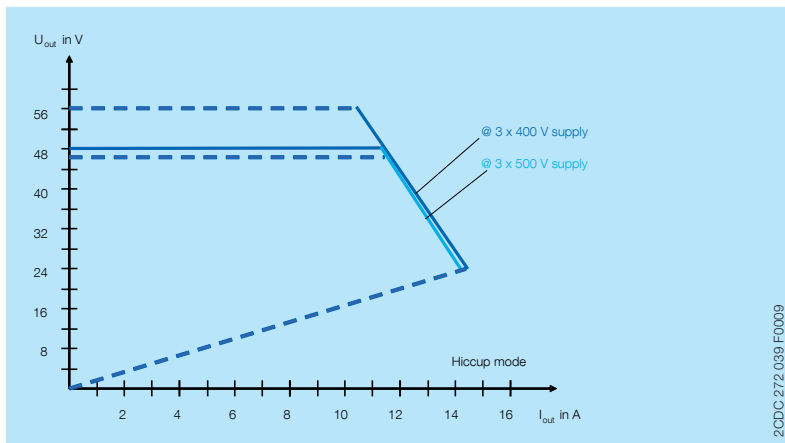
<b>Electromagnetic compatibility</b>		
Interference immunity to		IEC/EN 61000-6-2
electrostatic discharge	IEC/EN 61000-4-2	level 4 (air discharge 15 kV / contact discharge 8 kV)
radiated, radio-frequency, electromagnetic field	IEC/EN 61000-4-3	level 3 (10 V/m)
electrical fast transient/burst	IEC/EN 61000-4-4	level 4 (4 kV / 5 kHz)
surge	IEC/EN 61000-4-5	L-L level 3 (2 kV) / L-PE level 4 (4 kV)
conducted disturbances, induced by radio-frequency fields	IEC/EN 61000-4-6	level 3 (10 V)
power frequency magnetic fields	IEC/EN 61000-4-8	level 4 (30 A/m)
voltage dips, short interruptions and voltage variations	IEC/EN 61000-4-11	dips: >95 % 0.5 ms / >30 % 25 ms interruptions: >95 % 250 ms
Interference emission		IEC/EN 61000-6-3
high-frequency radiated	IEC/CISPR 22, EN 55022	class B
high-frequency conducted	IEC/CISPR 22, EN 55022	class B
limits for harmonic current emissions	IEC/EN 61000-3-2	class A

## Technical diagrams

### Output behaviour



### Characteristic curve of output at $T_a = 25\text{ }^\circ\text{C}$



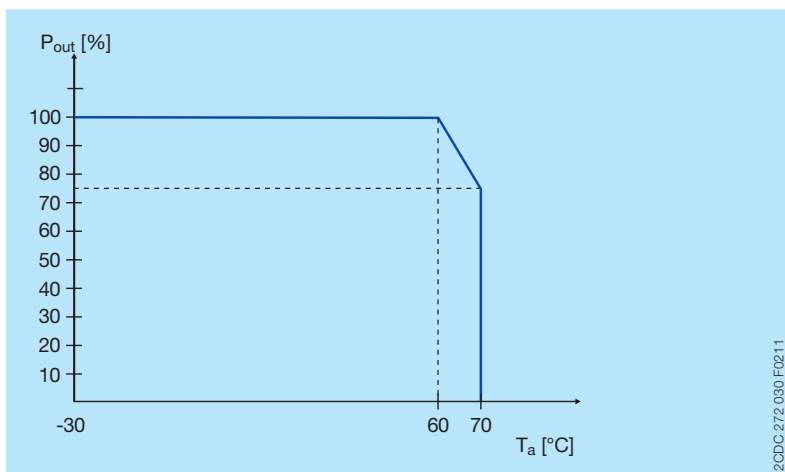
### Hiccup mode, characteristic curve of output at $T_a = 25\text{ }^\circ\text{C}$

The switch mode power supply CP-T 48/10.0 is able to supply at 48 V DC output voltage and

- at an ambient temperature of:  
 $\leq 60\text{ }^\circ\text{C}$  a continuous output current of approx. 10 A
- at ambient temperatures of:  
 $60\text{ }^\circ\text{C} < T_a \leq 70\text{ }^\circ\text{C}$  the output power has to be reduced by 2.5 % per  $^\circ\text{C}$  temperature increase.

If the switch mode power supply is loaded with an output current  $> 10\text{ A}$ , the operating point is passing through the U/I characteristic curve shown.

### Temperature behaviour

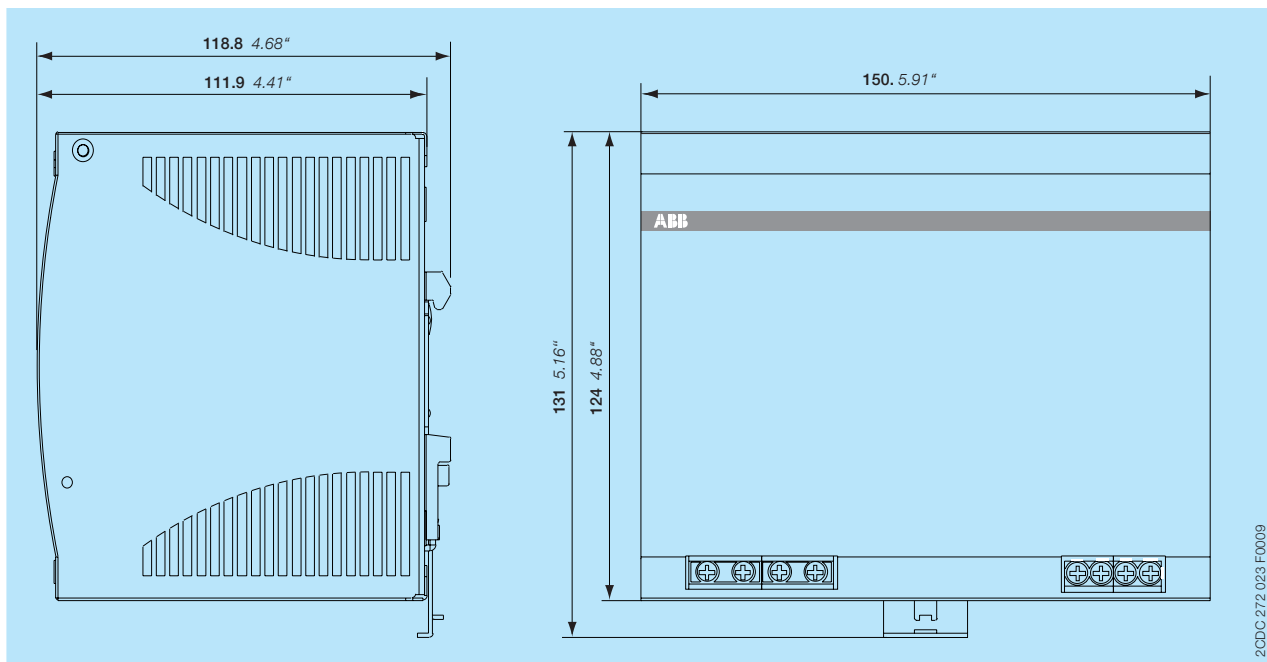


### Characteristic curve of temperature at rated load



## Dimensions

in mm and inches



## Further Documentation

Document title	Document type	Document number
Electronic products and relays	Technical catalogue	2CDC 110 004 C02xx
Power supply units	Application manual	2CDC 114 048 M020x

You can find the documentation on the internet at [www.abb.com/lowvoltage](http://www.abb.com/lowvoltage)  
-> Automation, control and protection -> Power supplies.

## CAD system files

You can find the CAD files for CAD systems at <http://abb-control-products.partcommunity.com>  
-> Low Voltage Products & Systems -> Control Products -> Power Supplies.

# Contact us

## **ABB STOTZ-KONTAKT GmbH**

P. O. Box 10 16 80  
69006 Heidelberg, Germany  
Phone: +49 (0) 6221 7 01-0  
Fax: +49 (0) 6221 7 01-13 25  
E-mail: info.desto@de.abb.com

You can find the address of your  
local sales organisation on the  
ABB home page  
<http://www.abb.com/contacts>  
-> Low Voltage Products and Systems

### **Note:**

We reserve the right to make technical changes or modify the contents of this document without prior notice. With regard to purchase orders, the agreed particulars shall prevail. ABB AG does not accept any responsibility whatsoever for potential errors or possible lack of information in this document.

We reserve all rights in this document and in the subject matter and illustrations contained therein. Any reproduction, disclosure to third parties or utilization of its contents – in whole or in parts – is forbidden without prior written consent of ABB AG.

Copyright© 2016 ABB  
All rights reserved