



CNX 718 Series 11/16" LED Panel Mount Indicator



CNX 718 Series features a high intensity LED with a wide viewing angle

Key features

- dome-shaped clear lens
- front panel mount
- 180° viewing angle
- .187" tab terminals
- 6" wire leads
- available in 4 voltage configurations
- RoHS compliant

Ordering data

CNX 718 11/16" indicator ordering code (example)

CNX 718 N X00 XX X

Lens Type	
	color
N	clear

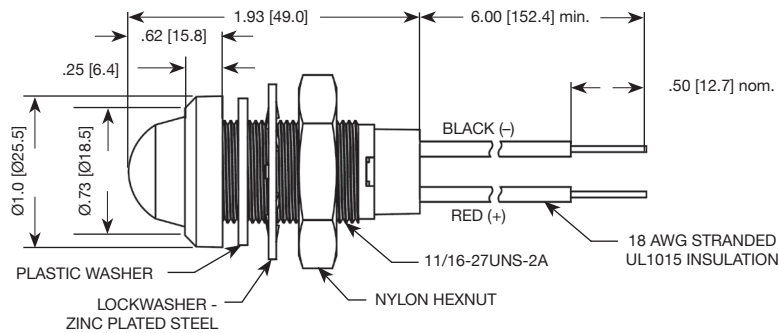
LED Color		
	color	typ intensity, mcd
200	red	2800
400	amber	2800
500	green	6000
900	white	4900

Voltage	
	input voltage
05	5VDC
12	12VDC
28	28VDC
120	120VAC

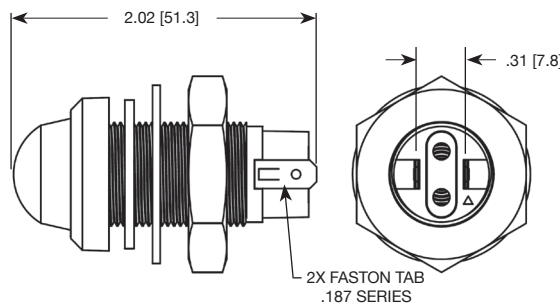
Termination Style	
	termination style
T	tab terminals
W	wire leads

Dimensions

Indicator Assembly (wire leads)



Indicator Assembly (tab terminals)



Product Specifications

At Ambient Temperature $T_a = 25^\circ\text{C}$

Output Color	Red	Amber	Green	White
Luminous Intensity Typ. (mcd) @ $I_f=20\text{mA}$	2800	2800	6000	4900
Typ. Forward Current (mA) @ $V_f=5\text{VDC}$	56 ~ 69	56 ~ 69	23 ~ 34	23 ~ 34
Typ. Forward Current (mA) @ $V_f=28\text{VDC}$	18.5 ~ 20.5	18.5 ~ 20.5	14.0 ~ 15.2	14.0 ~ 15.2
Typ. Forward Current (mA) @ $V_f=120\text{VAC}$	9.3 ~ 9.8	9.3 ~ 9.8	4.8 ~ 5.2	4.8 ~ 5.2
Max. Forward Current (mA) @ $V_f=5\text{VDC}$	81.0	81.0	41.0	41.0
Max. Forward Current (mA) @ $V_f=28\text{VDC}$	22.5	22.5	16.5	16.5
Max. Forward Current (mA) @ $V_f=120\text{VAC}$	10.7	10.7	5.6	5.6
Power Dissipation (mW) @ $V_f=5\text{VDC}$	446	446	226	226
Power Dissipation (mW) @ $V_f=28\text{VDC}$	675	675	495	495
Power Dissipation (mW) @ $V_f=120\text{VAC}$	1391	1391	728	728
Peak Wavelength (nm)	634	592	520	-
Dominant Wavelength (nm)	629	590	525	-
Operating Temperature ($^\circ\text{C}$)	-30 to +60	-30 to +60	-30 to +60	-30 to +60
Storage Temperature ($^\circ\text{C}$)	-40 to +85	-40 to +85	-40 to +85	-40 to +85
Reverse Breakdown @ $I_r=100\text{mA}/I_r=50\text{mA}$ (V) [$V_f=5\text{VDC}$]	5	5	*5	*5
Reverse Breakdown @ $I_r=100\text{mA}/I_r=50\text{mA}$ (V) [$V_f=28\text{VDC}$]	20	20	*10	*10
Reverse Breakdown @ $I_r=100\text{mA}/I_r=50\text{mA}$ (V) [$V_f=120\text{VAC}$]	270	270	*260	*260

- Lens is water clear with a fresnel pattern
- The Red and Amber LEDs are made from AlGaInP and Green and White LEDs are made from GaInN.
- GaInN LEDs are class 1 ESD Sensitive (MIL-STD-1686). Use appropriate ESD precautions during handling and operation.

Compliances and Approvals

