

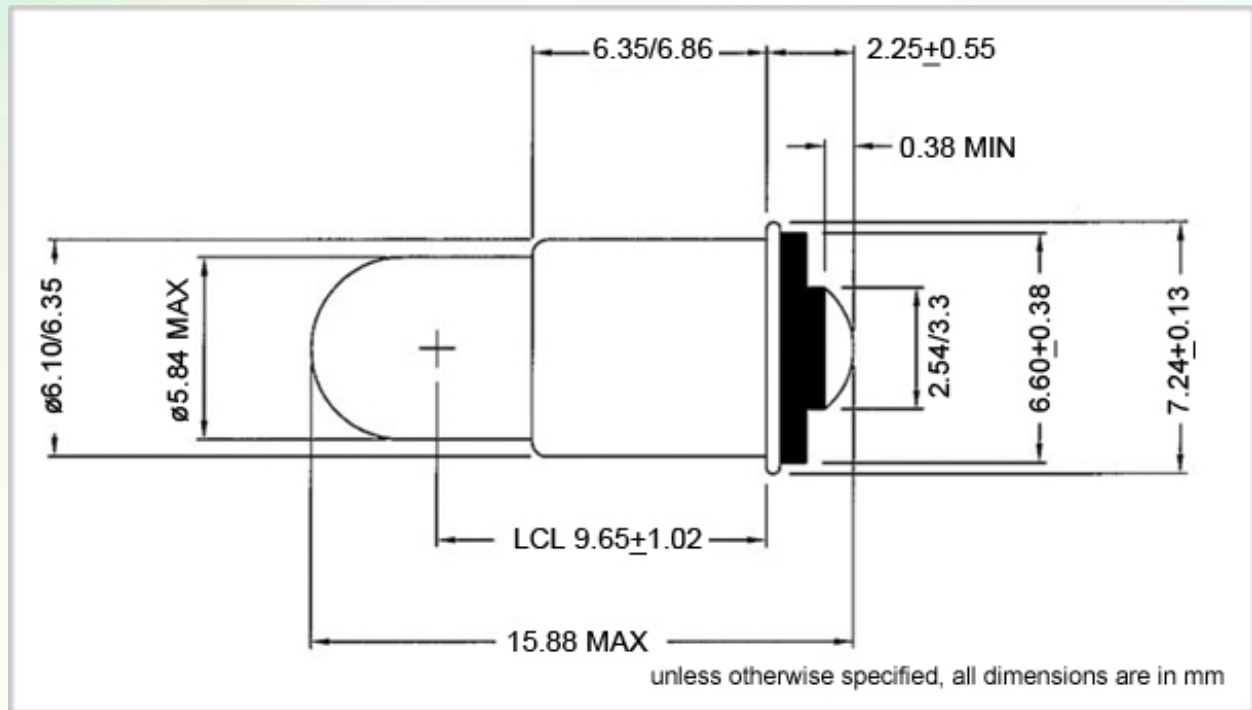
# T-1<sup>3</sup>/<sub>4</sub> MIDGET FLANGE BASE

## SUBMINIATURE LAMP

28V 40mA

WAMCO PART NO.	ENVELOPE SIZE	BASE TYPE	RATING	FILAMENT SHAPE			
WL-387	T-1 <sup>3</sup> / <sub>4</sub>	MF	28V 40mA	C-2F			
TEST VOLTS	CURRENT (mA)			LIGHT OUTPUT (MSCP)			LIFE HRS
28V	MIN	NOM	MAX	MIN	NOM	MAX	7,000
	36	40	44	.225	.300	.375	

## DIMENSIONAL CHARACTERISTICS



## NOTES

1. Part mark WL-387
2. RoHS compliant
3. ANSI trade number 387
4. Military Standard number MS25237-387

