

SPECIFICATIONS

Material: Boot: APM-RUBRGLAS (transparent silicone rubber) conforms to type ASTM D 1418. Frame: steel, zinc plated with chromate finish. Screws: SEELSKREWS (self-sealing screws), stainless steel with silicone rubber O-ring.

Temperature Range: E-SEELS: -80°F to +400°F

Pressure Range: Dust tight and splashproof.

Resistant to: Salt spray, weather, sunlight, ozone, corona and most acids.

Shelf Life: Excess of 25 years.

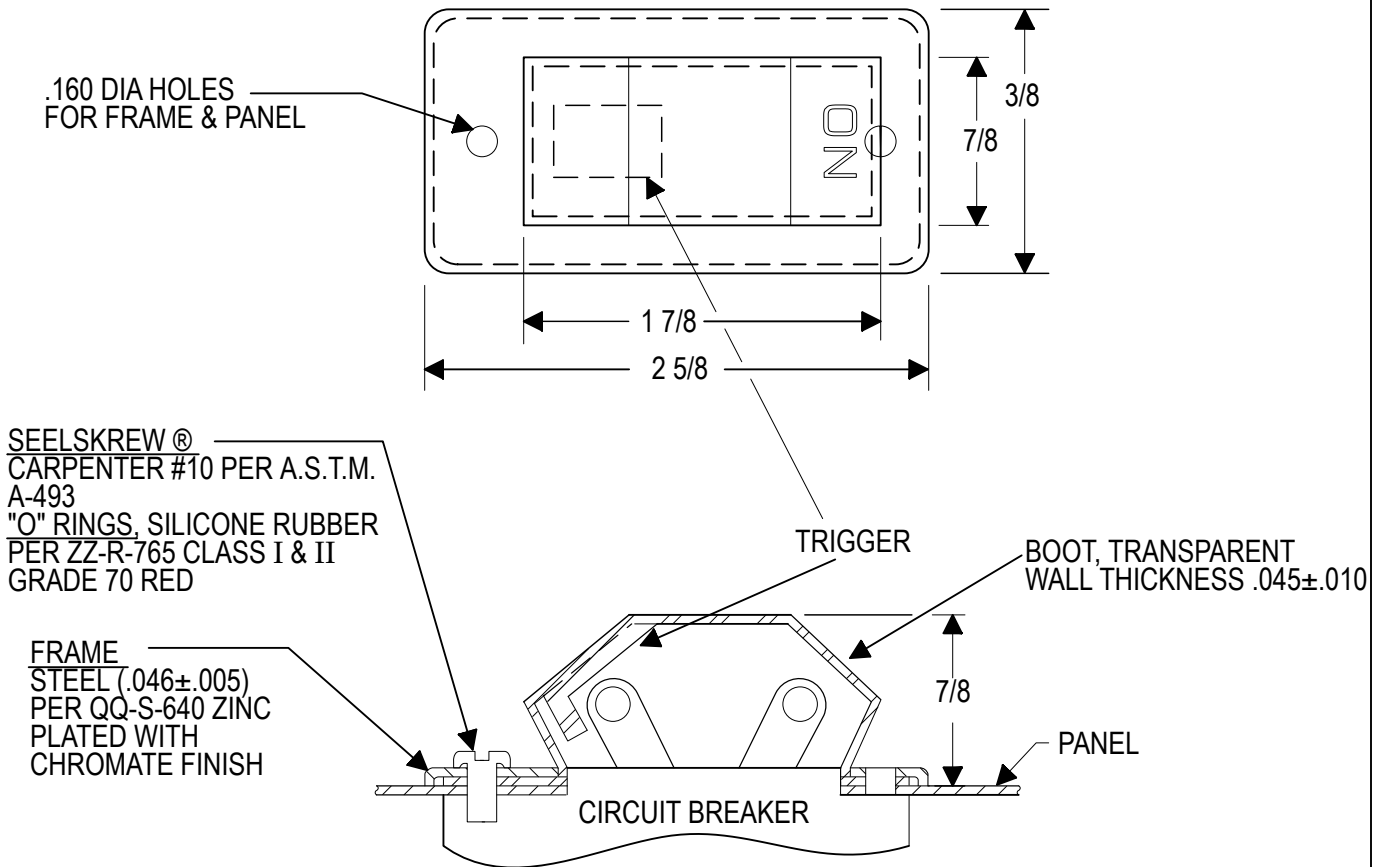
Operational Life: 10,000 actuations, minimum.

Notes:

1. Mounting screws are supplied in lengths shown unless otherwise specified.

2. New sizes and types of RUBRGLAS-SEELS ® are being added regularly. Please request other types and styles as required.

Agency Recognition: Front Panel mounted Circuit Breaker Boots are UL-listed to UL Std. 50, types 1, 2, 3, 12, 12K, and 13. Back-of-Panel mounted Circuit Breaker boots are UL-listed to UL Std. 50, type 1. Also meet CSA standards.



NOTES:

ASSEMBLY CONSISTS OF 1 BOOT, MAT'L APM RUBRGLAS ®, 1 FRAME MAT'L C.R.S. ZINC PLATED WITH CHROMATE FINISH, & 2 #6-32 APM SEELSKREWS ® LENGTH = 3/8 UNLESS OTHERWISE SPECIFIED, DESIGNED TO MEET MIL-B-5423

TOLERANCES: UNLESS OTHERWISE NOTED ± 1/32

H	CAD COMPUTER GENERATED		11-13-02
G	TRIGGER ADDED	M.MORSE	4-26-93
REV.	DESCRIPTION		DATE
MAXIMUM AND MINIMUM MEASUREMENTS ARE STATED DIRECTLY ON EACH DIMENSION.			
MAT'L: SILICONE RUBBER POLYMER TYPE ASTM D 1418	TITLE: CIRCUIT BREAKER BOOT, TOGGLE, WIDE ANGLE, TRANSPARENT (1 POLE)	ENG. M.M. DWN. J. PALUMBO CHKD.	3-28-59
FINISH: GRADE 50 TRANSPARENT	APM-HEXSEAL CORPORATION	SCALE 1:1	DWG. NO. CT-1015

THIS DRAWING COVERS PROPRIETARY ITEM AND IS THE PROPERTY OF THE APM-HEXSEAL CORPORATION.
THIS DRAWING IS NOT TO BE COPIED OR USED WITHOUT THE WRITTEN APPROVAL OF AN OFFICER OF THE APM-HEXSEAL CORPORATION.